



PRODUCT FEATURES

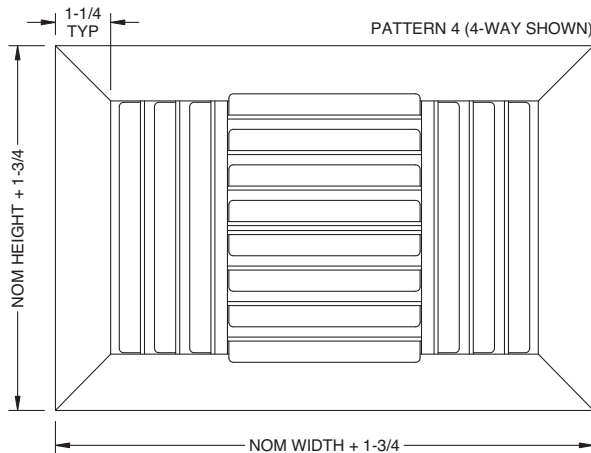
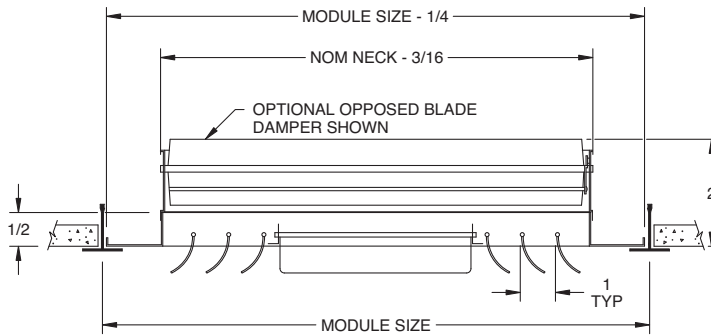
- Individually Adjustable Blades
- 9 Blow Patterns

CONSTRUCTION DETAILS

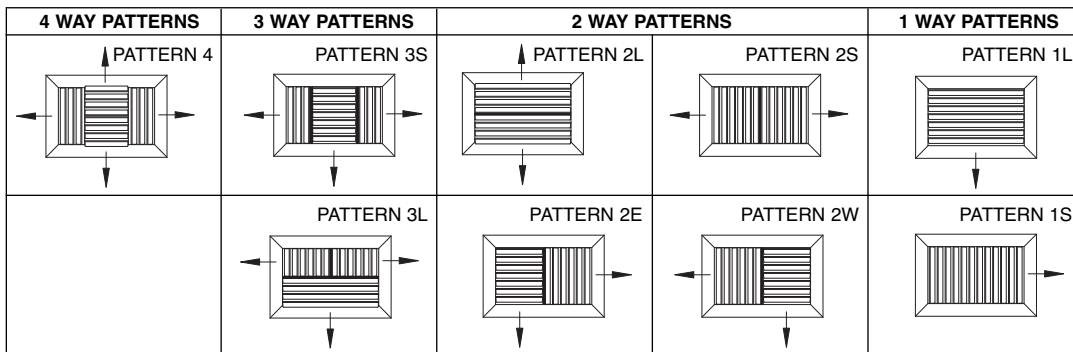
- Material:** Extruded Aluminum
Finish: White (std)
- Natural Anodize (opt)
 - Custom Colors (opt)

Models

- 1CL** Grille for Lay-In T-Bar
- 1CL-DA** Register for Lay-In T-Bar with aluminum opposed blade volume control damper



MODULE SIZE	NOM NECK SIZE
12 X 12	10 X 10
12 X 24	10 X 22
24 X 24	22 X 22



All dimensions are in inches.

JOB NAME:

SUBMITTED BY: