

APPLICATION

- Versatile supply linear diffuser for use with Armstrong TechZone suspended ceiling systems.
- Adjustable air discharge pattern for horizontal or vertical directions provides draft free comfort for both heating and cooling.
- Designed for efficient air distribution at cooling differentials up to 30° F.
- TAZRs can also be used for combination supply/return or return only.
- Matching return units for ducted or plenum return systems

PRODUCT FEATURES

- Frames available for TechZone Lay-In or Tegular 15/16" Inverted T-Bar, Lay-In or Tegular 9/16" Inverted T-Bar, or 9/16" Narrow Slot suspended ceiling systems.
- Extruded aluminum diffuser construction with attractive, durable finish.
- Pattern control designed for easy adjustment of horizontal or vertical discharge.
- Arctic White powdercoat outer flanges & center tees.
- Black pattern control elements and adjustment vanes for clean architectural look.
- Available in four slot widths, 1/2", 3/4", 1", and 1-1/2".
- Available in nominal grid sizes up to 72". Continuous run applications are possible.
- Assembly hardware – duct mounting brackets, alignment strips, end caps, mounting bracket screws – provided as applicable.



DIFFUSER OPTIONS

- Model AD Plenums – Insulated or non-insulated.
- Model LBO Linear Blank-Off Plates.
- Model LED Linear Equalizing Deflectors.
- Model LEC Linear Eggcrate Straightener.
- Custom colors (provide paint chip or formulation number).
- Mirror polished face surfaces.

Model	Slot Width	# Slots	Border Type				
			L	D	T	L9	T9
TAZR-50	1/2"	1	•	•	•	•	•
		2	•	•	•	•	•
		3	•	•		•	•
		4	•			•	
TAZR-75	3/4"	1	•	•	•	•	•
		2	•	•	•	•	•
		3	•	•		•	•
		4	•			•	
TAZR-10	1"	1	•	•	•	•	•
		2	•	•	•	•	•
TAZR-15	1-1/2"	1	•	•	•	•	•

L : Lay-In Inverted T-Bar, 15/16"

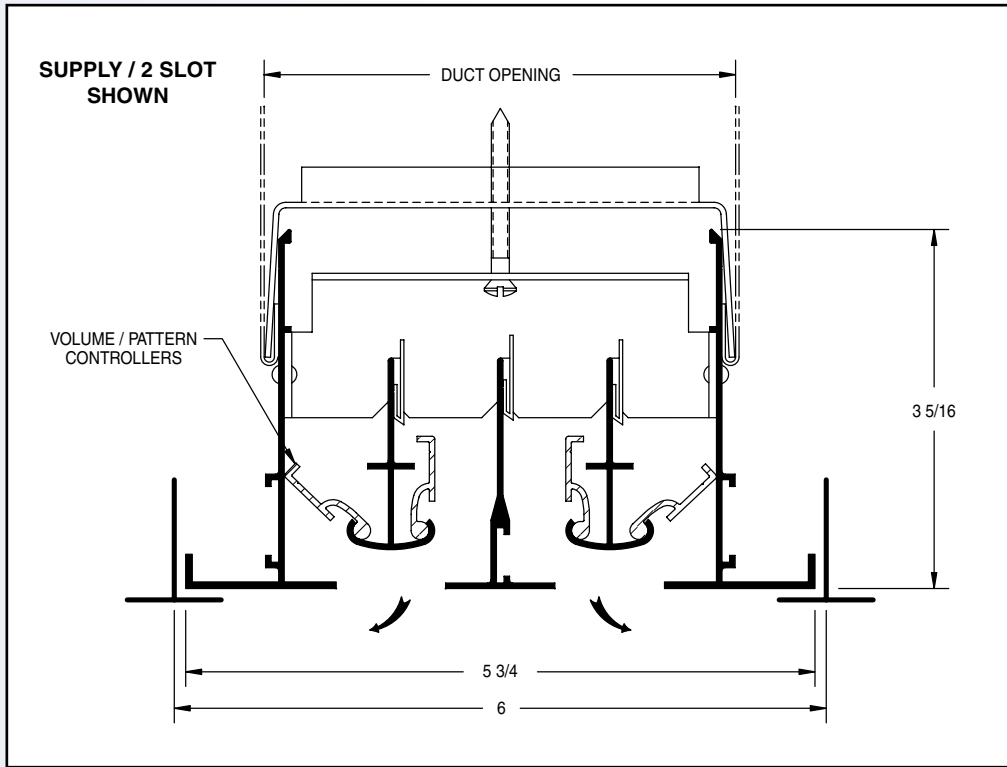
D : 9/16" Narrow Slot

T : Tegular, 15/16" T-Bar

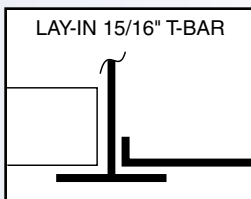
L9 : Lay-In Inverted T-Bar, 9/16"

T9 : Tegular, 9/16" T-Bar

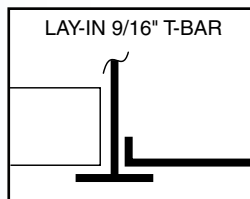
Model TAZR-S-L - Lay-In 15/16" T-Bar



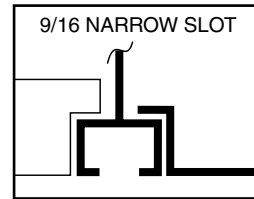
Model TAZR-S-L



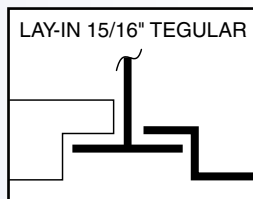
Model TAZR-S-L9



Model TAZR-S-D



Model TAZR-S-T



Model TAZR-S-T9

