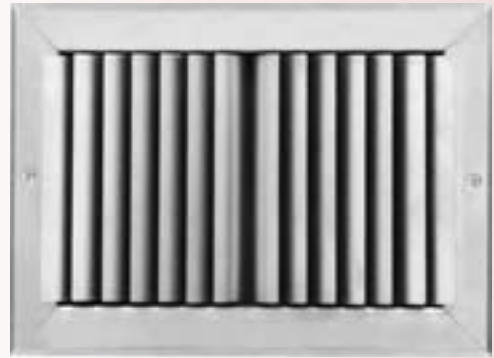


APPLICATION

- Harsh environments dictating stainless steel performance
- Recommended for constant or variable air volume heating, cooling, or ventilating
- Specific throw patterns to match room configuration – adjustable blades allow proportioning of air in specific directions
- Air discharge pattern adjustable for throw distance / direction
- Ceiling or sidewall installation
- Surface mounted or suspended grid systems



Pattern 2S Shown

PRODUCT FEATURES

- 304 Stainless Steel
- 9 specific patterns for 1,2,3, & 4 way discharge directions
- 20 gauge frame
- Individually adjustable blades tensioned by polymer bushings
- 3/4" blade spacing
- Registers include a factory attached, face-operated stainless steel opposed blade volume control damper
- Mounting holes in frame neatly countersunk for supplied stainless steel oval head screws
- Satin polished frame and blades
- Maximum size one piece construction 36" x 36"

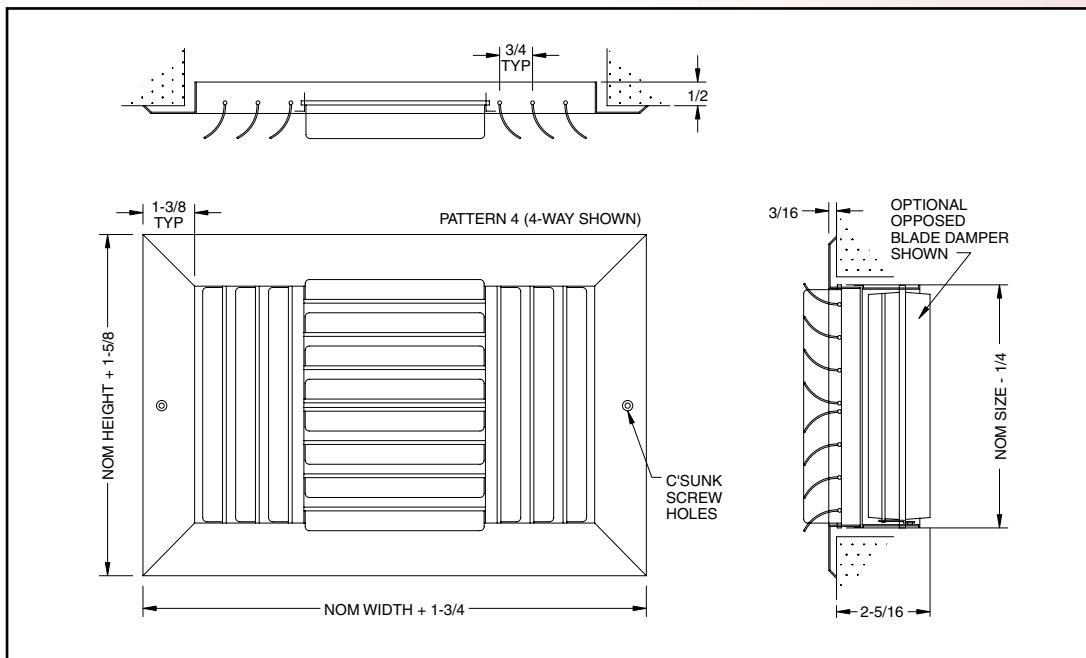
GRILLE OPTIONS

- 316 Stainless Steel
- Model SSTBF Stainless Steel T-Bar Frame
- Aluminum or coated steel opposed blade volume control dampers
- Custom or optional paint colors

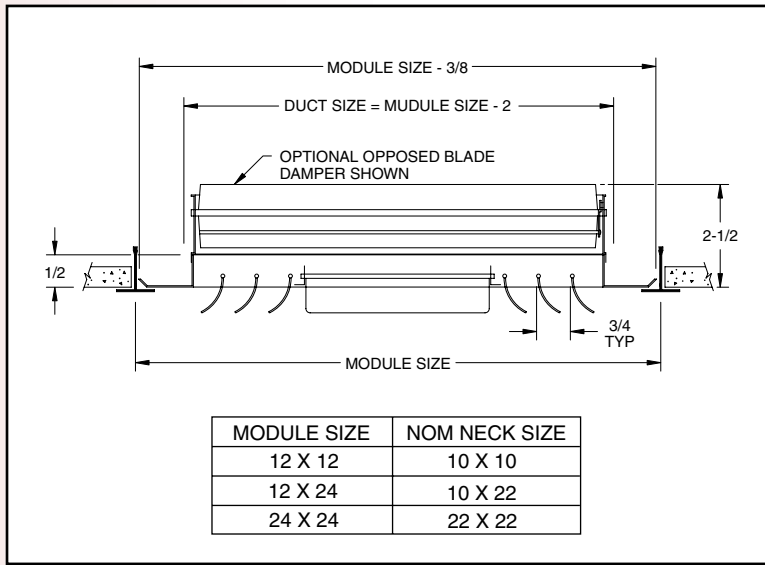
<ul style="list-style-type: none"> • Model SS1CS Grille with Screw Holes for Surface Mounting
<ul style="list-style-type: none"> • Model SS1CSO Register with Screw Holes for Surface Mounting Stainless Steel Opposed Blade Damper
<ul style="list-style-type: none"> • Model SS1CL Grille for Lay-In T-bar
<ul style="list-style-type: none"> • Model SS1CLO Register for Lay-In T-bar Stainless Steel Opposed Blade Damper

PERFORMANCE DATA - Pages A-27 – A-29

SURFACE MOUNTED • MODEL SS1CS



LAY-IN T-BAR • MODEL SS1CL



PATTERNS (as viewed from face)

