

APPLICATION

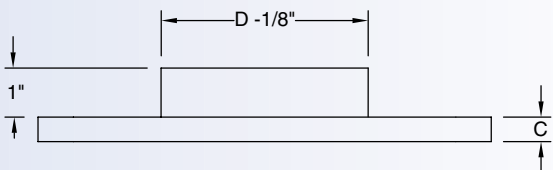
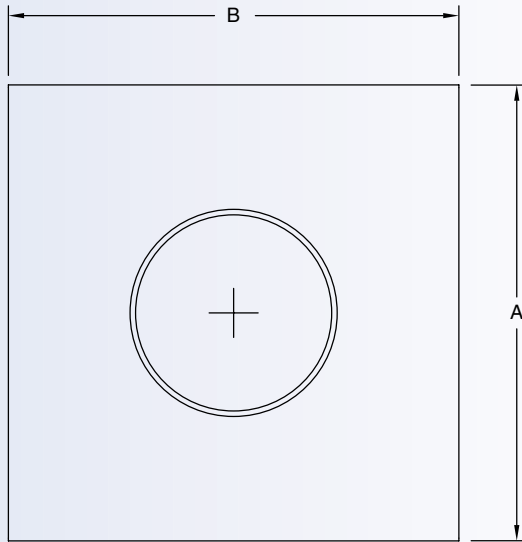
- Economical adapter designed to provide a transition from a square or rectangular neck to a round neck for flexible or round rigid duct connections
- Field installed onto grilles, registers, or diffusers

PRODUCT FEATURES

- Available in full range of sizes from 4" to 24"
- Designed so square and round neck dimensions can be the same, i.e. a 9"Ø on 9" x 9" square
- Coated steel, welded construction

OPTIONS

- Aluminum or stainless steel construction
- Model SSA for square to square adapter



	Model	Model	GRD Material			A & B	C
			ST	AL	SS		
Surface Grilles (No Dampers)	SRA-A	1,2,3,E3,HD	●	●		Nom Neck - 1/4	1-1/2"
	SRA-A	GC5, 3P,3PS	●	●		Nom Neck - 1/4	1-1/2"
	SRA-A	XR2, XR3		●		Nom Neck - 1/4	1-1/2"
	SRA-G	X1CS,SS1CS,SSGC5		●	●	Nom Neck	1-1/2"
	SRA-E	3/E3/GC5/XR2/XR3-81/82	●	●	●	Nom Neck + 1/4	1-1/2"
	SRA-E	ASSG-81/82			●	Nom Neck + 1/4	1-1/2"
	SRA-G	1,2,3			●	Nom Neck	1-1/2"
	SRA-A	3PR,3PTD,3PCD,3PHD,3MD	●	●	●	Nom Neck - 1/4	1-1/2"
Surface Registers (OBD)	SRA-H	1,2,3,E3,HD	●	●		Nom Neck	4-3/4"
	SRA-H	GC5,3P,3PS	●	●		Nom Neck	4-3/4"
	SRA-H	XR2, XR3		●		Nom Neck	4-3/4"
	SRA-H	X1CS,SS1CS,SSGC5		●	●	Nom Neck	4-3/4"
	SRA-F	3/E3/GC5/XR2/XR3-81/82	●	●	●	Nom Neck + 1/4	4-3/4"
	SRA-F	ASSG-81/82			●	Nom Neck + 1/4	4-3/4"
	SRA-H	1,2,3			●	Nom Neck	4-3/4"
	SRA-H	3PRF,3PTD,3PCD,3PHD,3MD	●	●	●	Nom Neck	4-3/4"
Lay-In Grilles (No Dampers)	SRA-C	GC5L		●		Nom Grid - (1-1/8)	1-1/2"
	SRA-C	AC	●	●		Nom Grid - (1-1/8)	1-1/2"
	SRA-G	X1CLP, SS1CS		●	●	Nom Neck	1-1/2"
	SRA-A	1,2,3,GC5-FP	●	●		Nom Neck - 1/4	1-1/2"
	SRA-M	3/E3/GC5-81/82-L	●	●	●	Nom Grid - (2-1/4)	1-1/2"
	SRA-G	3/E3/GC5-FP-81/82	●	●	●	Nom Neck	1-1/2"
	SRA-A	3PLD,3PRD	●	●	●	Nom Neck - 1/4	1-1/2"
	SRA-A	3PRD-81/82	●	●	●	Nom Neck - 1/4	1-1/2"
Lay-In Registers (OBD)	SRA-D	GC5L		●		Nom Grid - 1	4-3/4"
	SRA-D	AC	●	●		Nom Grid - 1	4-3/4"
	SRA-H	X1CLP, SS1CS		●	●	Nom Neck	4-3/4"
	SRA-H	1,2,3,GC5-FP	●	●		Nom Neck	4-3/4"
	SRA-N	3/E3/GC5-81/82-L	●	●	●	Nom Grid - 2	4-3/4"
	SRA-H	3/E3/GC5-FP-81/82	●	●	●	Nom Neck	4-3/4"
	SRA-H	3PLD,3PRD	●	●	●	Nom Neck	4-3/4"
	SRA-H	3PRD-81/82	●	●	●	Nom Neck	4-3/4"
Diffusers	SRA-G	QC, RMD, PR	●	●		Nom Neck	1-1/2"
	SRA-H	QC, RMD, PR (all with OBD)	●	●		Nom Neck	4-3/4"
	SRA-G	HPX / D Directional	●	●	●	Nom Neck + 1/4	1-1/2"
	SRA-H	HPX / D Directional w/ OBD	●	●	●	Nom Neck + 1/4	4-3/4"
	SRA-H	HPX / D Directional w/OBD & DED	●	●	●	Nom Neck + 1/4	4-3/4"
	SRA-G	CG,PLD, PAC,PLD-X, 3RPLD	●	●	●	Nom Neck	1-1/2"
	SRA-H	CG,PLD, PAC,PLD-X, 3RPLD	●	●	●	Nom Neck	4-3/4"