

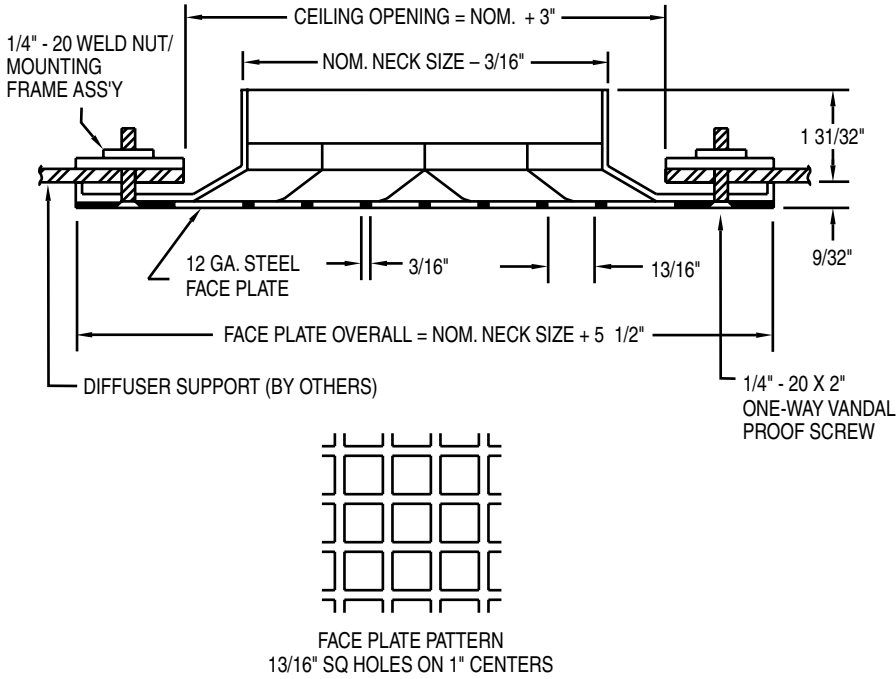
SUBMITTAL SHEET



Anemostat
A MESTEK COMPANY

P.O. BOX 4938 • 1220 WATSONCENTER ROAD • CARSON, CA 90745-4206
(310) 835-7500 • FAX (310) 835-0448
e-mail: airsec@anemostat.com • website: www.anemostat.com

SGSDF
MINIMUM SECURITY
STEEL
DIRECTIONAL DIFFUSER
with LATTICE FACE PLATE



CORE PATTERNS

	SQUARE	RECTANGULAR	
4 WAY PATTERNS (STANDARD)			
1 WAY PATTERNS			
2 WAY PATTERNS			
3 WAY PATTERNS			

IMPORTANT: It is the specifier's responsibility to properly configure the HVAC system to meet the appropriate level of comfort, safety, security and detention

PRODUCT FEATURES

Lattice Face Plate

- 12 GA. (standard)
- 10 GA. (optional)
- 14 GA. (optional)

Lattice Face Plate Patterns

- 13/16" sq. on 1" ctrs. (standard)
- Other _____ (consult factory for availability)

Neck Sizes

- Square and rectangular from 6" x 6" to 24" x 24" in 3" increments

Tamperproof Screws

- 1/4" - 20 x 2" one-way vandal proof (std.)
- Other _____

Mounting Frame Assembly

- Standard
- Not Required

Opposed Blade Damper -(optional)

- DOB-1 - shipped loose (standard)
- DOB-1 - front operated, attached (optional)
Requires hole drilled in core for access to operator.
- Other _____

Adapter -(optional)

- Square to round (shipped loose)

Finish

- White Powder Coat (standard)
- Other _____

Other Options (please specify)

- Optional DED (Equalizing Deflector)
Ordered Separately (Shipped Loose)

Qty.	Order Size (Nominal Duct)		Throw Pattern
	W"	H"	

SUBMITTAL APPROVAL

Job Name and Location			
Engineer	Date	Factory	Date
Mfr. Rep.	Date	Submitted By	Date

All dimensions are in inches.