

APPLICATION

- Harsh environments dictating stainless steel performance
- Architecturally preferred diffuser appearance without sacrificing performance
- Recommended for constant or variable air volume heating, cooling, or ventilating
- 360° air pattern delivery maintains coanda effect even at low air flow rates and minimizes smudging
- For surface mounting or use with suspended grid systems

PRODUCT FEATURES

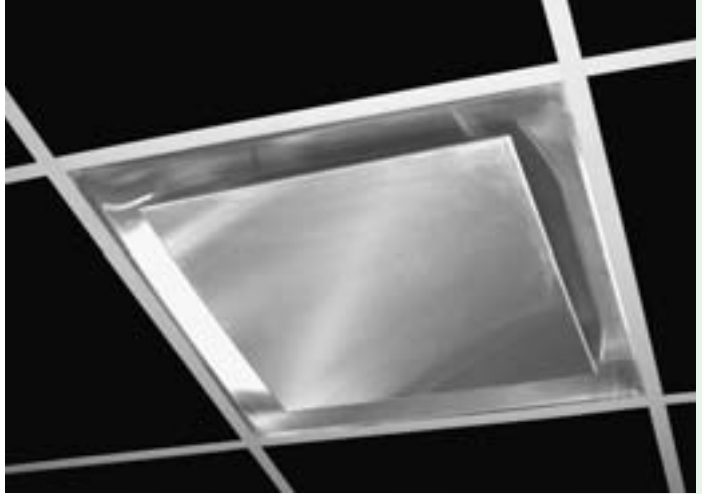
- 304 Stainless Steel
- Center plaque has smooth, hemmed edges for rigidity and flat appearance
- Plaque is assembled without welding or heat – no blemishes
- Smooth outer cone is die stamped (no mitered corners) and contoured to minimize sound and pressure loss
- Removable plaque assembly without use of tools. 4 posts interlock into outer cone.
- Satin polished finish on exposed surfaces for stainless steel units

DIFFUSER OPTIONS

- 316 Stainless Steel
- White paint
- Model **SSTBF** auxiliary mounting frame for hard / plaster ceilings
- Custom or optional paint colors

MRI APPLICATIONS

- All aluminum construction (stainless steel post clips used on 12" x 12" assembly)
- White finish
- Optional blank-off baffles for directional control from 4-way to 3, 2, or 1 way blow – field installed
- Models: **XPGF-MRI** (Surface Mount)
XPGL-MRI (Lay-in T-bar)



Model SSPGL



304 / 316 STAINLESS STEEL

AVAILABLE ROUND NECK SIZES		4	5	6	7	8	10	12	14
12 x 12 FACE		•	•	•	•	•			
24 x 24 FACE				•		•	•	•	•

MRI APPLICATIONS

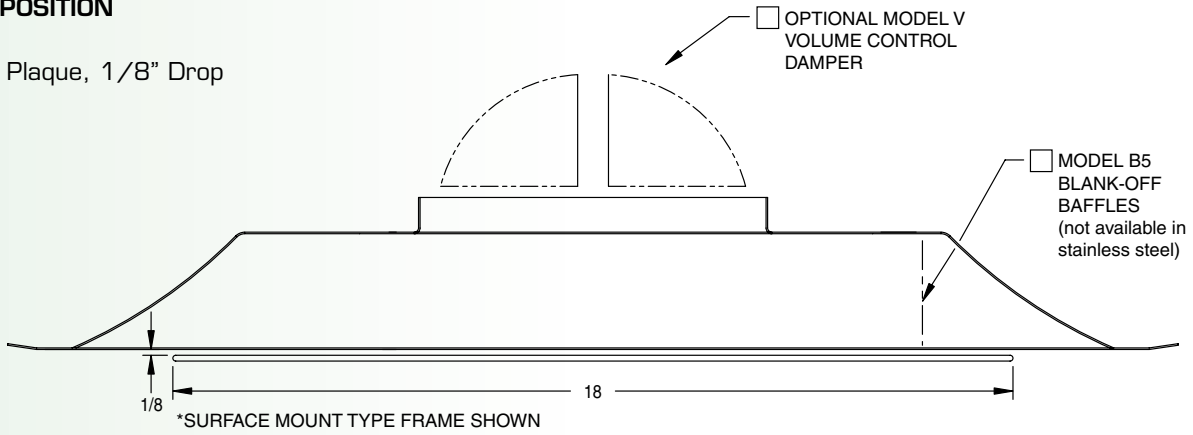
AVAILABLE ROUND NECK SIZES		4	5	6	7	8	10	12	14	15
12 x 12 FACE		•	•	•	•	•				
24 x 24 FACE				•		•	•	•	•	•



NOMINAL 24 X 24 DIFFUSER SIZE

PLAQUE POSITION

A 18" Plaque, 1/8" Drop

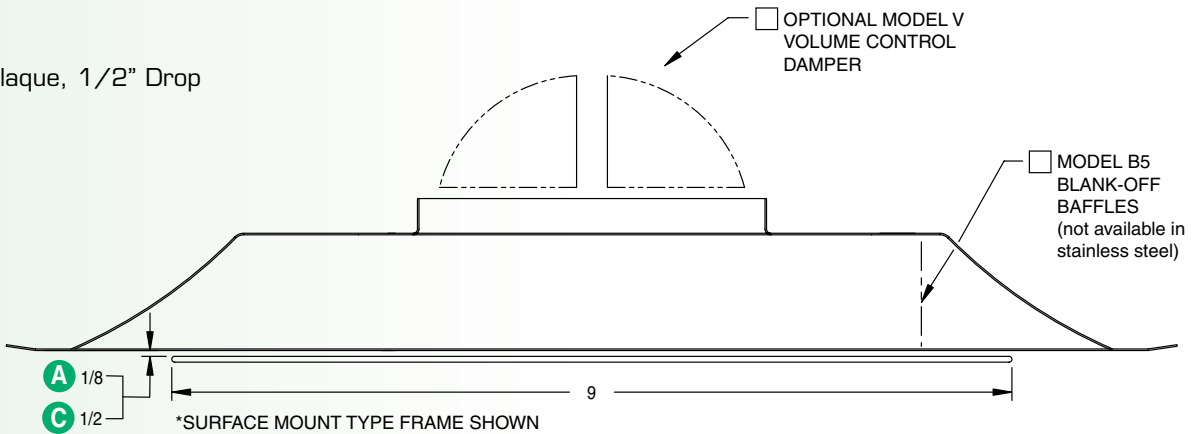


NOMINAL 12 X 12 DIFFUSER SIZE

PLAQUE POSITION

A 9" Plaque, 1/8" Drop

C 9" Plaque, 1/2" Drop



EDGE DETAILS

