

### APPLICATION

- Architecturally preferred diffuser appearance without sacrificing performance
- Recommended for constant or variable air volume heating, cooling, or ventilating
- 360° air pattern delivery maintains coanda effect even at low air flow rates and minimizes smudging
- For surface mounting or use with suspended grid systems

### PRODUCT FEATURES

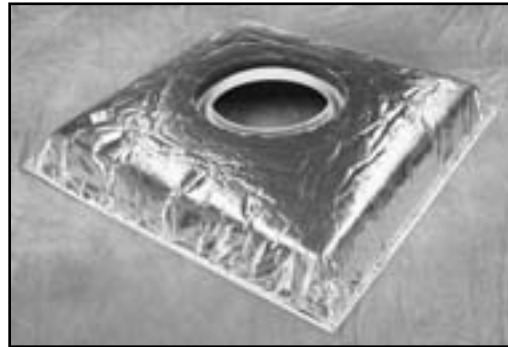
- Center plaque has smooth, hemmed edges for rigidity and flat appearance
- Steel construction
- Plaque is assembled without welding or heat – no blemishes
- Smooth outer cone is die stamped (no mitered corners) and contoured to minimize sound and pressure loss
- Removable plaque assembly without use of tools. 4 posts interlock into outer cone.
- Arctic White baked-on finish

### DIFFUSER OPTIONS

- Aluminum, or stainless steel construction
- Model B5 blank-off baffles for directional control from 4-way to 3, 2, or 1 way blow – field installed
- Custom or optional paint colors
- Model VD butterfly volume control damper
- Model TBF auxiliary mounting frame for hard / plaster ceilings
- All aluminum construction for MRI applications
- 30" x 30" Model PGD for 9/16" narrow slot grid systems



Model PGF



Model R6 - Molded Insulation Blanket  
See page B-4 for details

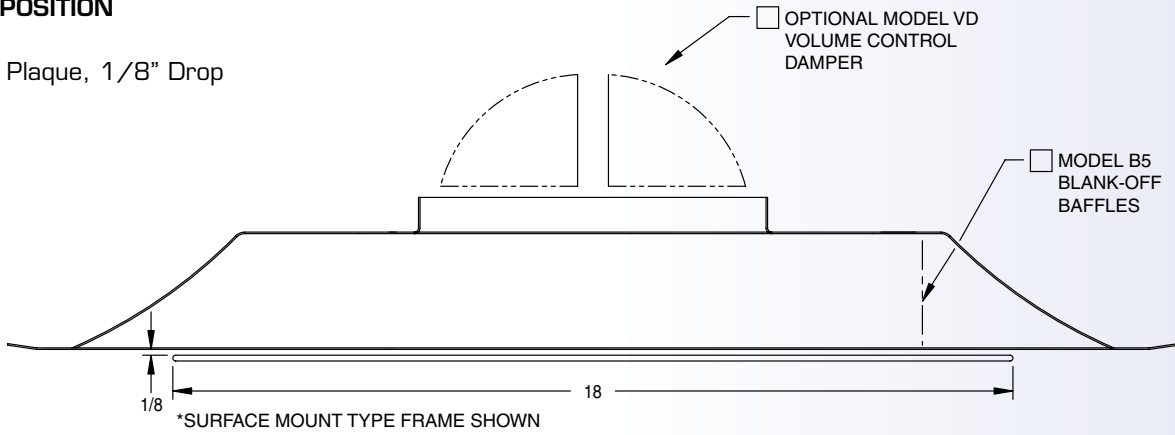
AVAILABLE ROUND NECK SIZES		4	5	6	7	8	10	12	14	15
12 x 12 FACE		•	•	•	•	•				
24 x 24 FACE				•		•	•	•	•	•



**NOMINAL 24 X 24 DIFFUSER SIZE**

**PLAQUE POSITION**

**A** 18" Plaque, 1/8" Drop

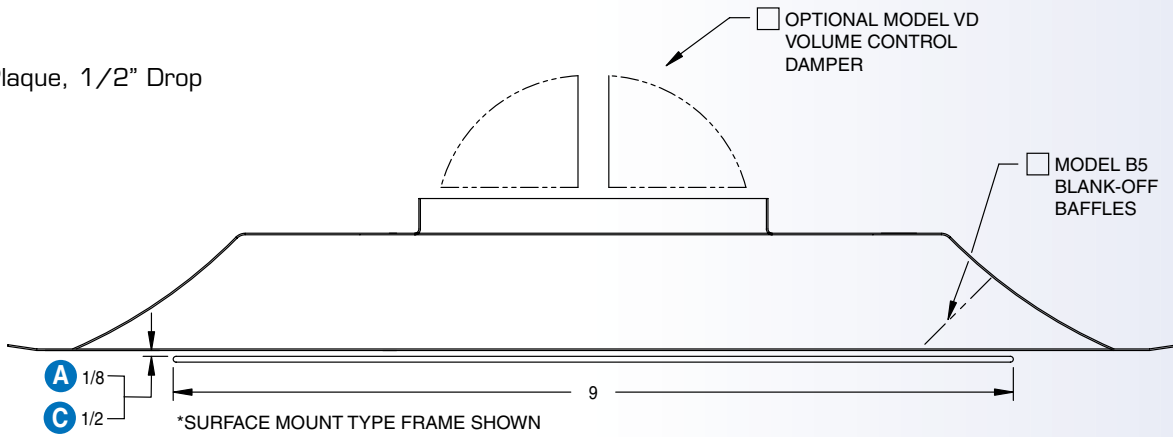


**NOMINAL 12 X 12 DIFFUSER SIZE**

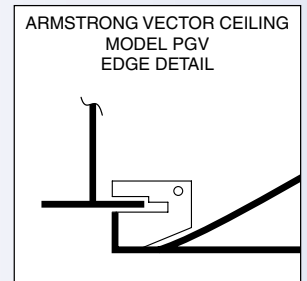
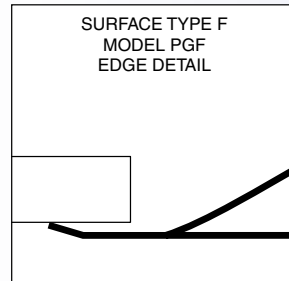
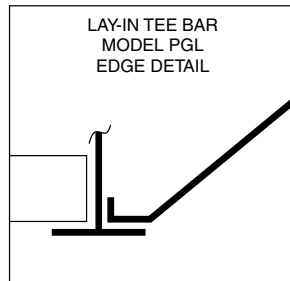
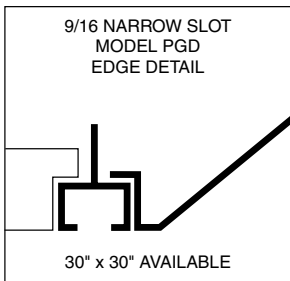
**PLAQUE POSITION**

**A** 9" Plaque, 1/8" Drop

**C** 9" Plaque, 1/2" Drop



**EDGE DETAILS**



Vector and Armstrong World Industries are registered trademarks