

APPLICATIONS

- High capacity supply air outlet with adjustable directional blades for jet or diffused air patterns and vertical directional control
- Recommended for HVAC installations which require long or short throw patterns and trajectory control
- Ideally suited for accurate directional control of conditioned air within large spaces such as malls, exhibit halls, sports arenas, industrial and manufacturing facilities, atrium areas, and large office building entrances
- Supplies straight 0° jet air patterns for extremely long throw requirements and diffused air patterns up to 30° spread for installations which require shorter throws and greater air diffusion patterns
- Vertical direction is adjustable from 0° to ±30°

FEATURES

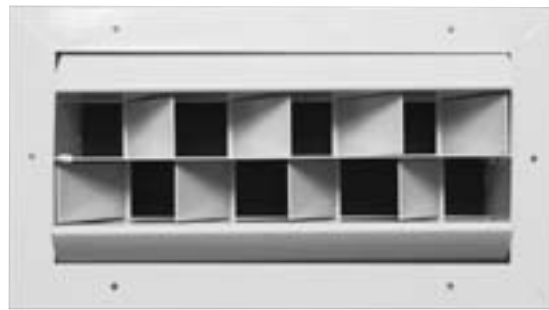
- The "IJ" is constructed from heavy aluminum extrusions for maximum strength, corrosion resistance, and dimensional stability. The drum is securely attached to the outer frame by mechanical fasteners and held in position by friction.
- Comprised of cylindrical drum pivoted within a 1 1/4" outer frame gasketed on all four sides to minimize smudging
- Rotatable drum has a seal on all sides to minimize air leakage
- Deflection louvers or blades of the drum are individually adjustable, rear pivoted, and provide spread control at various angles from 0° to 30°
- Outer frame with 3/16" diameter mounting holes for screw type mounting

OPTIONS

- Available in four nominal heights of 6", 10", 12", and 15". Widths range from 9" to 70".
- The optional opposed blade damper is gear operated & adjusted from the face by a slotted screwdriver. The use of the OBD does not limit directional control in the vertical plane nor spread adjustability. Opposed blade damper is available in standard galvanized steel or optional aluminum.
- Pole operated lever for vertical adjustment from the floor (pole not included).
- Standard finish is baked-on Arctic White. Optional finishes are available.
- Contact factory for aluminum anodized options

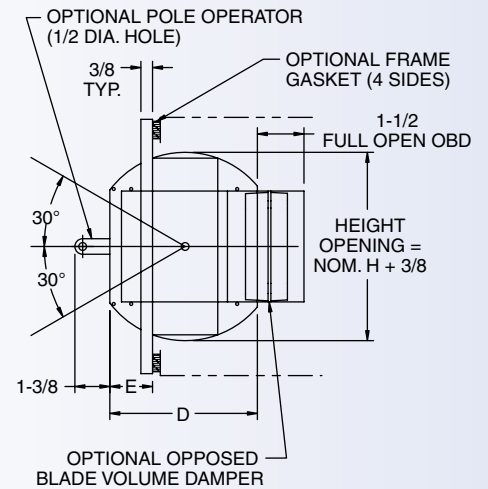
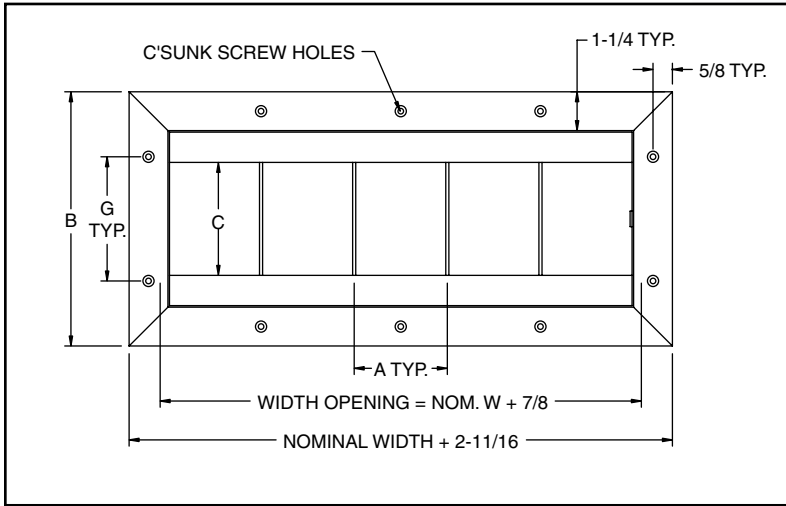


Model IJ

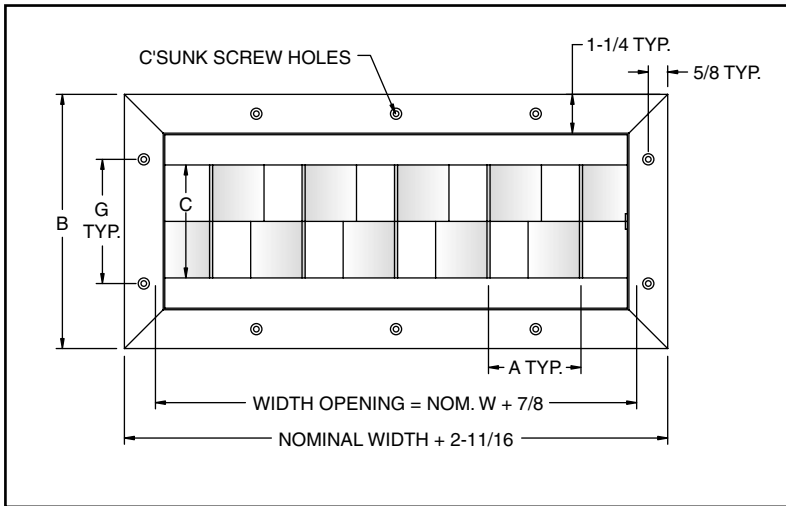


Model IJ-D

MODEL IJ • INFINIJET DRUM LOUVER



MODEL IJ-D • INFINIJET SPILT VANE DRUM LOUVER



6"	10"	12"	15"
W x H	W x H	W x H	W x H
9x6	20x10	20x12	15x15
12x6	25x10	25x12	20x15
18x6	30x10	30x12	25x15
24x6	35x10	35x12	30x15
30x6	40x10	40x12	40x15
36x6	48x10	50x12	50x15
48x6	50x10	60x12	60x15
60x6	60x10	70x12	70x15
—	70x10	—	—

NOM. HEIGHT (DRUM DIA.)	A	B	C	D	E	G
6" UNITS	3	8-3/16	3-7/16	4-3/4	1-3/8	-
10" UNITS	5	11-15/16	5-15/16	7-5/8	2-1/4	6
12" UNITS	5	13-15/16	6-13/16	7-5/8	3	6
15" UNITS	5	17	9-3/4	7-13/16	3-5/8	9