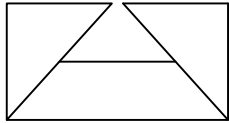


SUBMITTAL SHEET



® from: **ANEMOSTAT**®

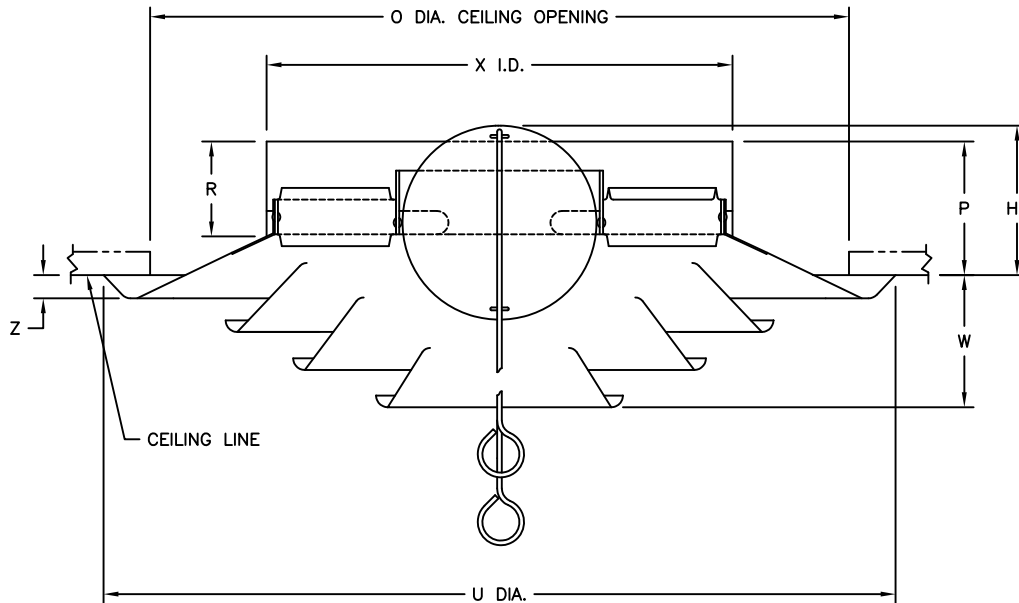
CARSON CA  
310-835-7500

MODEL  
**HU-4**  
with **DE-2**

PROJECTION UNIT HEATER  
ADJUSTABLE PATTERN  
EXPOSED DUCT, LIMITED COOLING

**Material:** Steel  
**Finish:** White

**Note:** \*"H" Dimension from ceiling line to top of "Damper Disc" in open position. (Damper Disc does not extend above neck in size no. 10 only)



SIZE	H	O	P	U	W	X	R	Z
10	2-7/8	15	1-7/8	17	2-3/4	10	1	1/2
12	3-5/8	18-1/2	2-1/4	20-7/8	3-1/4	12	1	1/2
15	4-1/8	22-1/2	2-1/2	24-5/8	3-3/4	15	1	1/2
18	5-3/8	28	3-1/8	30-3/8	4-5/8	18	1	1/2
21	6-5/8	33-1/2	4-7/8	36-1/8	5-3/8	21	2	1/2
24	7-1/2	39	5-1/4	42-3/4	6-1/2	24	2	3/4
30	8-1/2	45	5-1/4	48-1/2	7-1/4	30	2	3/4

All Dimensions are in Inches

JOB NAME:	SUBMITTED BY:
LOCATION:	
ARCHITECT:	
ENGINEER:	DWG # CIR-0127
CONTRACTOR:	DATE 10-30-00 REV