

APPLICATION

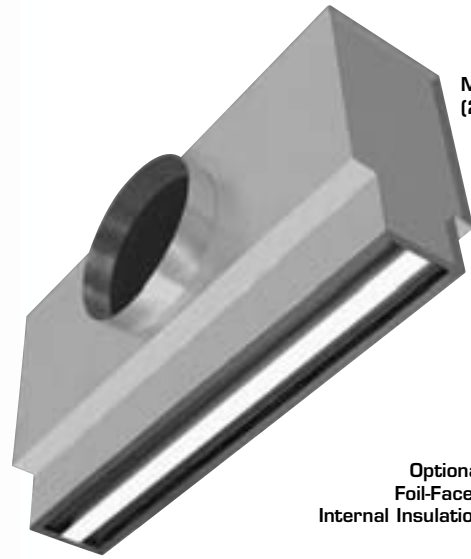
- Linear air pattern provides excellent coanda ceiling effect ideal for very low turndown in VAV systems. Ideal for perimeter zones requiring coverage across windows and exterior walls.
- Integral plenum-slot linear diffuser for heating and cooling applications
- Designed specifically for lay-in T-bar grid systems
- Versatile diffuser controllers to adjust air pattern 180 degrees from horizontal to vertical

PRODUCT FEATURES

- 1 or 2 slot units standard, in slot widths of 1/2", 3/4", or 1"
- 24", 36", 48", 60" nominal lengths
- Exposed face surfaces and pattern controllers are painted black, center tees are Arctic white
- Separate pattern controller for each slot, adjustable from the face
- Pattern controllers also serve to control airflow rate through each slot
- Diffuser and plenum are integral, eliminating potential air leakage.

DIFFUSER OPTIONS

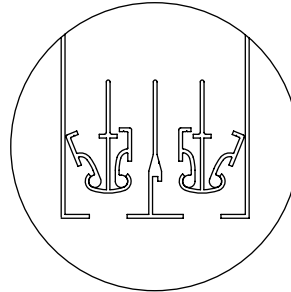
- 1/2" internal or external insulation, foil-faced insulation, closed cell "fiber-free" insulation
- Inlet damper
- 3 and 4 slots



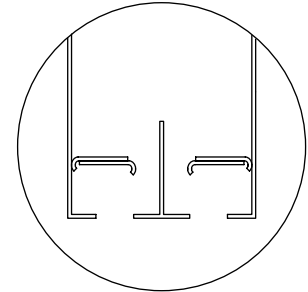
Model API-S Shown
(2 Slot)



Optional
Foil-Faced
Internal Insulation

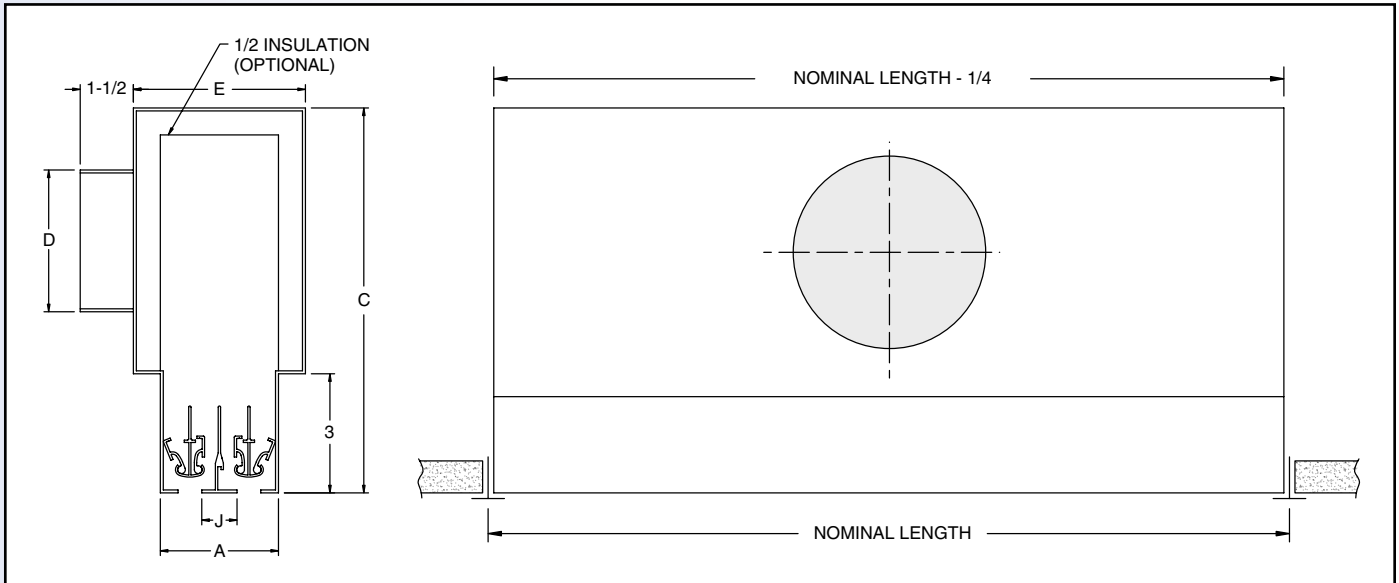


Model API-S



Model API-F

Model API-S - 2 Slot Shown



| SLOT WIDTH | NOMINAL LENGTH | API - 1 SLOT | | | | API - 2 SLOT | | | | |
|------------|----------------|--------------|---|---------|--------|--------------|---|---------|-----|--------|
| | | A | D | E | C | A | D | E | J | C |
| 1/2" | 24 | 1-1/4 | 4 | 3-13/16 | 10-1/2 | 2-1/2 | 5 | 3-13/16 | 3/4 | 10-1/2 |
| | 48 | 1-1/4 | 5 | 3-13/16 | | 2-1/2 | 6 | 5-5/16 | 3/4 | |
| 3/4" | 24 | 1-1/2 | 5 | 3-13/16 | | 3 | 6 | 5-5/16 | 3/4 | |
| | 48 | 1-1/2 | 6 | 3-13/16 | | 3 | 6 | 5-5/16 | 3/4 | |
| 1" | 24 | 2 | 5 | 3-13/16 | | 4 | 6 | 5-5/16 | 1 | |
| | 48 | 2 | 6 | 5-5/16 | | 4 | 7 | 6-5/16 | 1 | |

OTHER LENGTHS AND INLET SIZES ARE AVAILABLE.