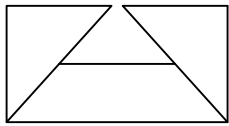


SUBMITTAL SHEET



®

from: **ANEMOSTAT**®

CARSON CA
310-835-7500

MODEL

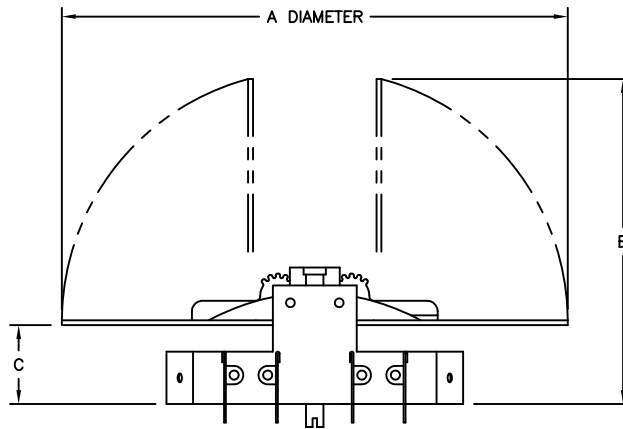
LD

VOLUME CONTROL
SUPPLY DAMPER
AIR FLOW EQUALIZATION

Material: Steel
Finish: Mill

Notes:

4" to 12" Actuator operated by 5/32 hex key, 14" to 18" Actuator operated by slotted screwdriver.



SIZE	A	B	C	NUMBER OF DAMPER PLATES	NUMBER OF DEFLECTOR BLADES
4	3-5/8	2-7/8	1-1/4	2	2
5	4-5/8	3-3/8	1-1/4	2	2
6	5-5/8	3-7/8	1-1/4	2	2
8	7-5/8	4-7/8	1-1/4	2	4
10	9-5/8	5-7/8	1-1/4	2	4
12	11-5/8	6-7/8	1-1/4	2	4
14	13-5/8	7-3/4	1-5/8	2	6
15	14-5/8	8-3/4	1-5/8	2	6
16	15-5/8	8-3/4	1-5/8	2	6
18	17-5/8	9-3/4	1-5/8	2	6

All Dimensions are in Inches

JOB NAME:	SUBMITTED BY:
LOCATION:	
ARCHITECT:	
ENGINEER:	DWG # ACC-0151
CONTRACTOR:	DATE 11-6-00 REV