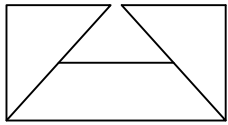


SUBMITTAL SHEET

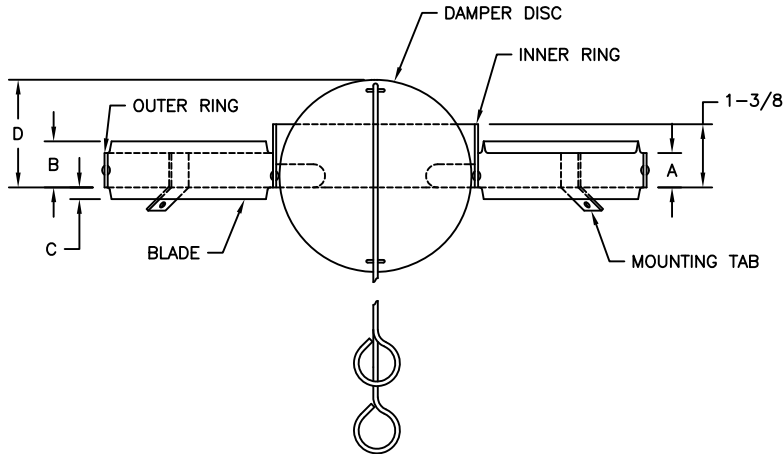


from: **ANEMOSTAT**®

CARSON CA
310-835-7500

MODEL
DE-2
AIR FLOW EQUALIZATION
DIRECTIONAL CONTROL
DEFLECTORS

Material: Steel



SIZE	NECK DIA.	OUTER RING OD	INNER RING ID	NO. OF BLADES	A	B	C	D
10	10	9-3/4	3-5/8	8	3/4	1-1/4	1/4	2-1/4
12	12	11-3/4	4-1/2	8	3/4	1-1/4	1/4	2-5/8
15	15	14-3/4	5	10	3/4	1-1/4	1/4	2-7/8
18	18	17-3/4	6	10	1	2	1/2	3-5/8
21	21	20-3/4	7	10	1	2	1/2	4-1/8
24	24	23-3/4	8	12	1	2	1/2	4-5/8
30	30	29-3/4	10	14	1	2	1/2	5-5/8

All Dimensions are in Inches

JOB NAME:	SUBMITTED BY:
LOCATION:	
ARCHITECT:	
ENGINEER:	DWG # ACC-0051
CONTRACTOR:	DATE 11-1-00 REV