

SUBMITTAL SHEET

www.anemostat-hvac.com

STAINLESS STEEL
SURFACE MOUNT

PRODUCT FEATURES

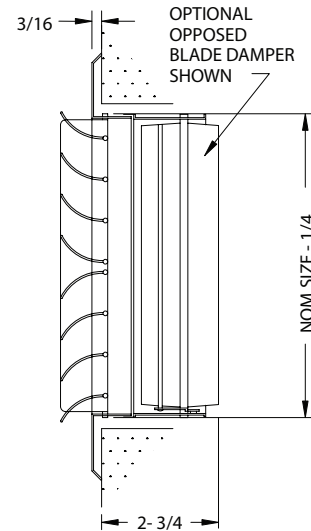
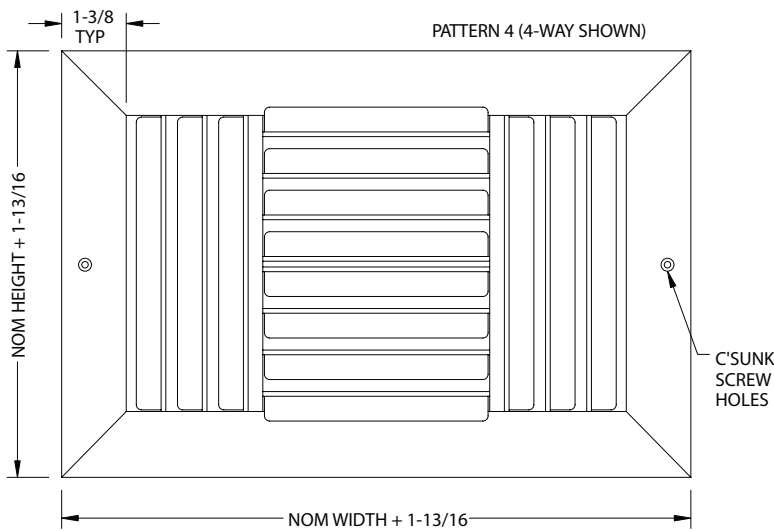
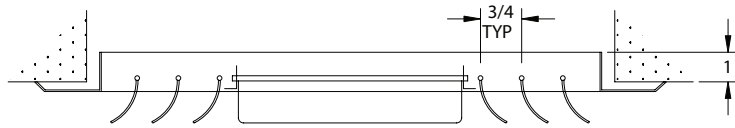
- Individually Adjustable Blades
- 9 Blow Patterns
- Countersunk Screw Holes w/ Screws (provided)
- Sizes 4" x 4" up to 60" x 48" (Min sizes for 2, 3, 4 way patterns is 12" x 12")

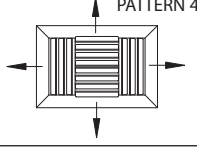
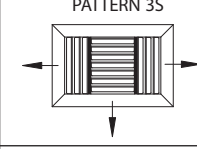
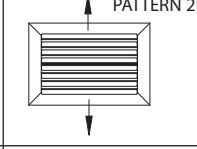
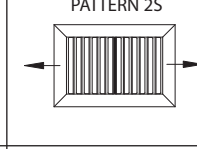
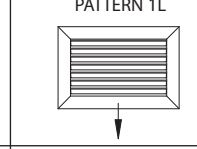
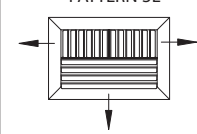
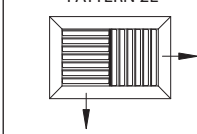
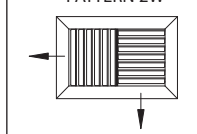
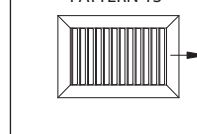
CONSTRUCTION DETAILS

Material: 304 Stainless Steel
 316 Stainless Steel (Optional)
 Finish: Satin Polish (Standard)

Models

- 1C Grille with holes for surface mounting
- 1C-D4 Register with holes for surface mounting with 304 SS opposed blade volume control damper



4 WAY PATTERNS	3 WAY PATTERNS	2 WAY PATTERNS		1 WAY PATTERNS
PATTERN 4 	PATTERN 3S 	PATTERN 2L 	PATTERN 2S 	PATTERN 1L 
	PATTERN 3L 	PATTERN 2E 	PATTERN 2W 	PATTERN 1S 

All dimensions are in inches.

JOB NAME:

SUBMITTED BY: