



Anemostat®

SECURITY AIR DISTRIBUTION

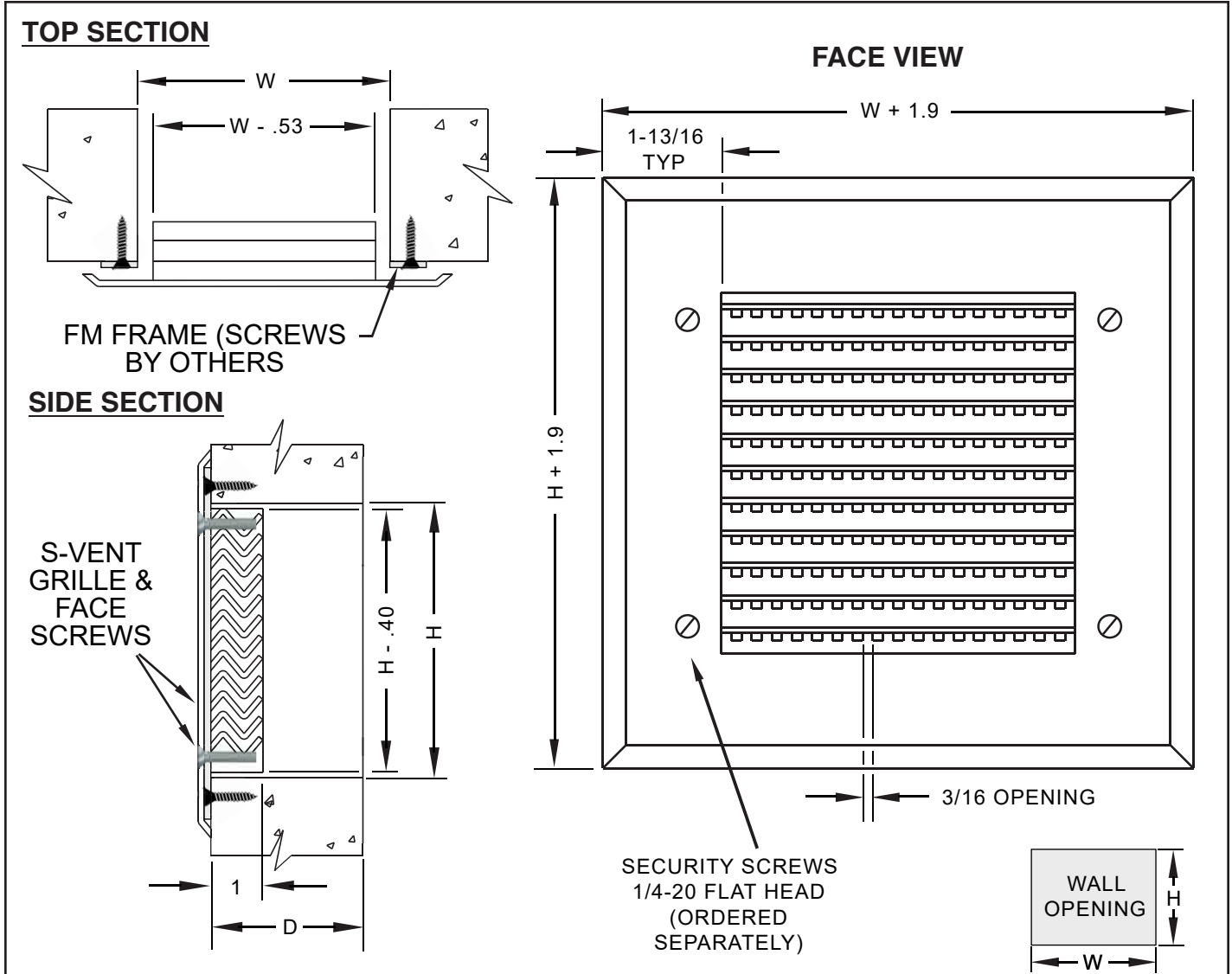
Model **SV2-FM**

SUBMITTAL SHEET

www.anemostat-hvac.com

LIGATURE RESISTANT GRILLE
3/16" X 3/16" APERTURES

MAXIMUM SECURITY • FACE MOUNTING FRAME



IMPORTANT: It is the specifier's responsibility to properly configure the HVAC system to meet the appropriate level of comfort, safety, security and detention

PRODUCT FEATURES

Grille Construction

- Cold Rolled Steel (CRS)
- 14 Gauge Face and Core
- FM Frame, 14 Gauge Galvanized Steel with 1/4-20 Rivnuts / Nutserts

Finish

- White Powder Coat (STANDARD)
- Other _____

Options

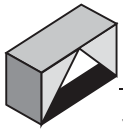
- Model OB-1 Opposed Blade Damper (**Rear Operated**, Galvzd Steel, Field Installed)

| QTY | Order Size | D Wall Depth |
|-----|------------|--------------|
| | | |
| | | |
| | | |
| | | |
| | | |

All dimensions are in inches.

JOB NAME:

SUBMITTED BY:



Anemostat®

SECURITY AIR DISTRIBUTION

Model **SV2-FM**

SUBMITTAL SHEET

www.anemostat-hvac.com

LIGATURE RESISTANT GRILLE
3/16" X 3/16" APERTURES

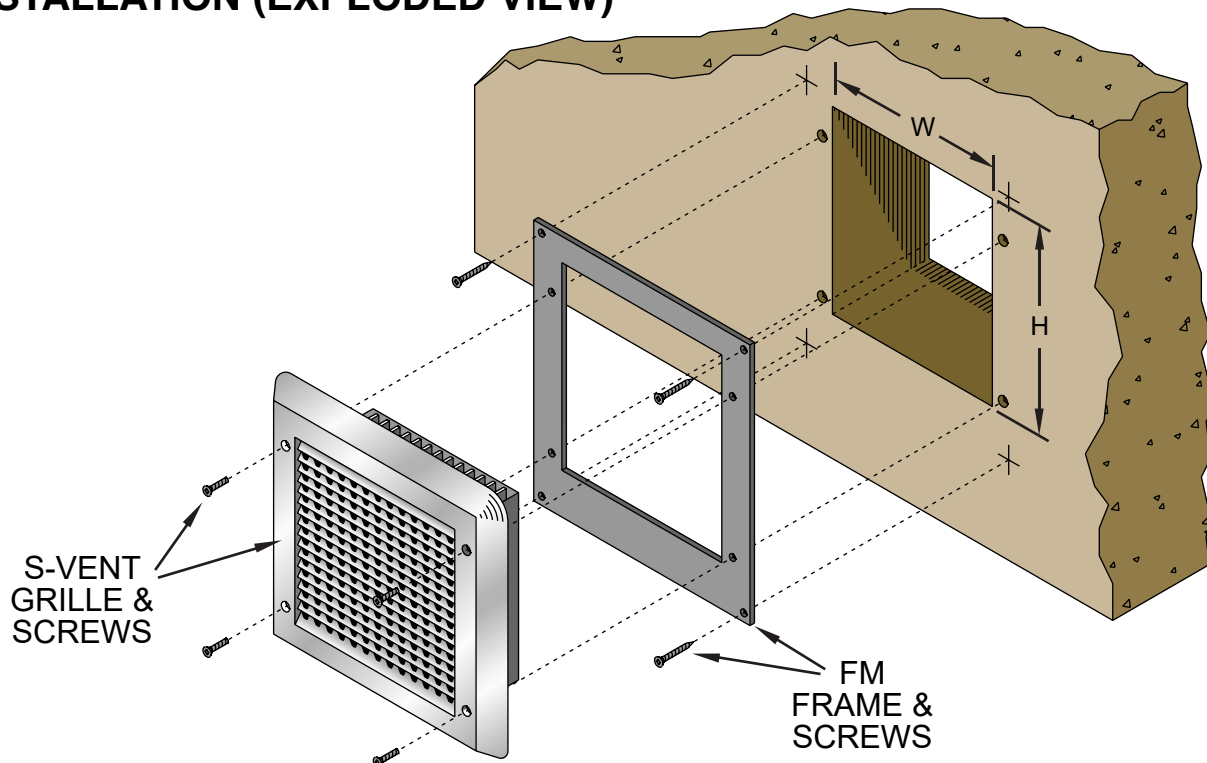
MAXIMUM SECURITY • FACE MOUNTING FRAME

ORDER SIZE

Order size is based on the table below and determines the rough opening size in the wall. For example, an S-Vent grille Order Size C3 requires a wall rough opening of 9.4" wide x 9.4" high.

| | | W = WIDTH (ROUGH OPENING) | | | | | | | | |
|-------------------------------|------|---------------------------|-----|-----|------|------|------|------|------|------|
| | | 5.4 | 7.4 | 9.4 | 11.4 | 13.4 | 15.4 | 17.4 | 19.4 | 21.4 |
| H = HEIGHT (ROUGH OPENING) | 5.4 | A1 | B1 | C1 | D1 | E1 | F1 | G1 | H1 | J1 |
| | 7.4 | A2 | B2 | C2 | D2 | E2 | F2 | G2 | H2 | J2 |
| | 9.4 | A3 | B3 | C3 | D3 | E3 | F3 | G3 | H3 | J3 |
| | 11.4 | A4 | B4 | C4 | D4 | E4 | F4 | G4 | H4 | J4 |
| | 13.4 | A5 | B5 | C5 | D5 | E5 | F5 | G5 | H5 | J5 |
| | 15.4 | A6 | B6 | C6 | D6 | E6 | F6 | G6 | H6 | J6 |
| | 17.4 | A7 | B7 | C7 | D7 | E7 | F7 | G7 | H7 | J7 |
| | 19.4 | A8 | B8 | C8 | D8 | E8 | F8 | G8 | H8 | J8 |
| | 21.4 | A9 | B9 | C9 | D9 | E9 | F9 | G9 | H9 | J9 |

INSTALLATION (EXPLODED VIEW)



JOB NAME:

SUBMITTED BY: