

# S-VENT<sup>®</sup>

## SUBMITTAL SHEET

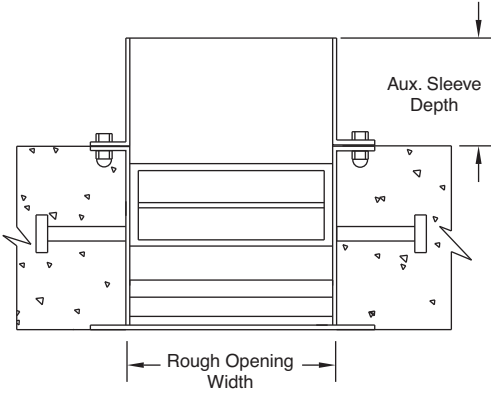


1220 WATSONCENTER ROAD • CARSON, CA 90745-4206  
 (310) 835-7500 • FAX (310) 835-0448  
 e-mail: airsec@anemostat.com • website: www.anemostat-hvac.com

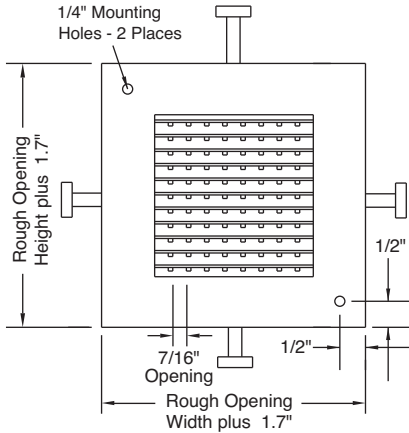
# SSV23-\_\_-PC

SPECIFY TYPE  
**MAXIMUM SECURITY GRILLE**  
 7/16" X 3/16" OPENING  
 with  
 ANCHOR STUDS FOR  
 PRECAST CONCRETE

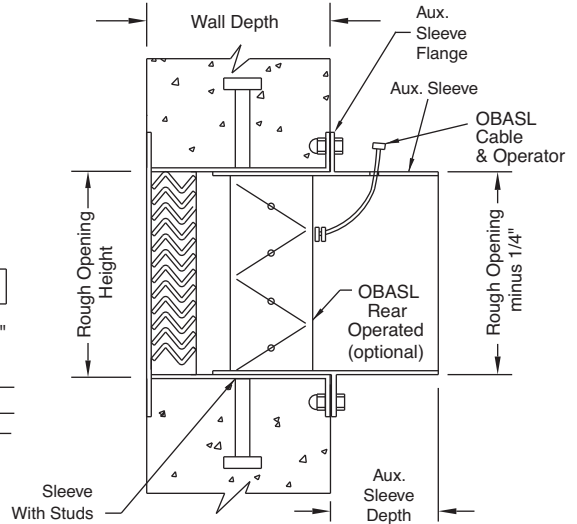
TOP SECTION



FRONT SECTION



SIDE SECTION



**IMPORTANT:** It is the specifier's responsibility to properly configure the HVAC system to meet the appropriate level of comfort, safety, security and detention

## PRODUCT FEATURES

**Face Flange**

14 GA (standard)

**Material Type**

Stainless Steel (standard)

**Horizontal Louvers/Vertical Mullions**

14 GA with 1 7/16" Neck Depth (std)

**Finish**

2B Mill Finish (std)

White Powder Coat (opt)

Other Powder Coat Colors \_\_\_\_\_

**Sleeve (standard)**

14 GA Galvanized - specify length \_\_\_\_\_

**Auxiliary Sleeve with Flange (optional)**

14 GA Galvanized - specify length \_\_\_\_\_

**Opposed Blade Damper (optional)**  
 (galvanized, shipped loose)

Rear Operated with ASL Cable

**Anchoring Studs (standard)**

Nelson Type - specify stud size \_\_\_\_\_

**MUST SPECIFY TYPE (BASED ON ROUGH OPENING SIZE) AS PART OF MODEL NUMBER WHEN PLACING ORDER**

ROUGH OPENING SIZES (WIDTH X HEIGHT)

Dimensions in Inches	WIDTH									
	6.3	8.3	10.3	12.3	14.3	16.3	18.3	20.3	22.3	
HEIGHT	6.3	A1	B1	C1	D1	E1	F1	G1	H1	J1
	8.3	A2	B2	C2	D2	E2	F2	G2	H2	J2
	10.3	A3	B3	C3	D3	E3	F3	G3	H3	J3
	12.3	A4	B4	C4	D4	E4	F4	G4	H4	J4
	14.3	A5	B5	C5	D5	E5	F5	G5	H5	J5
	16.3	A6	B6	C6	D6	E6	F6	G6	H6	J6
	18.3	A7	B7	C7	D7	E7	F7	G7	H7	J7
	20.3	A8	B8	C8	D8	E8	F8	G8	H8	J8
	22.3	A9	B9	C9	D9	E9	F9	G9	H9	J9

QTY	TYPE	ROUGH OPENING W"	ROUGH OPENING X H"	WALL DEPTH
27	C3	10.3	10.3	6"

**SUBMITTAL APPROVAL**

<b>Job Name and Location</b>			
<b>Engineer</b>	Date	<b>Factory</b>	Date
<b>Mfr. Rep.</b>	Date	<b>Submitted By</b>	Date