

Anemostat® SUBMITTAL

1220 Watson Center Road • Carson, CA 90745-4206
 (310) 835-7500 • FAX (310) 835-0448
 air@anemostat.com • www.anemostat-hvac.com

Models **SPT-RE / SPTN-RE**
PUNKAH TYPE
SPOT DIFFUSER
 ROUND DUCT
 EXPOSED

DIFFUSERS

PRODUCT FEATURES

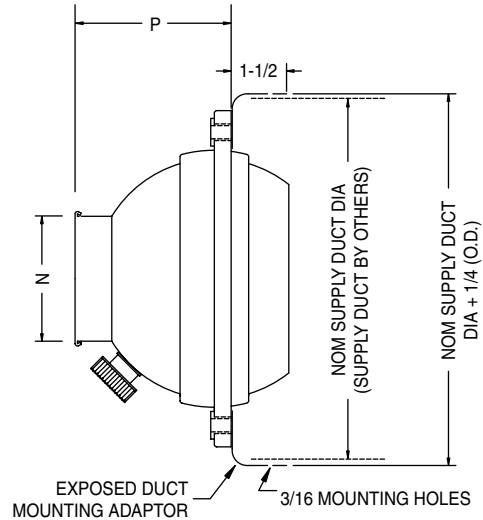
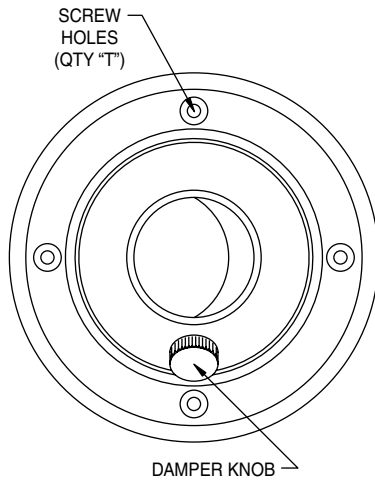
- Installs directly onto end of round supply duct
- Field adjustable directional control up to 75° total angle
- Includes screw holes and factory supplied screws
- Integral volume control damper changes effective nozzle area while maintaining jet discharge velocity. Knurled adjustment knob means no tools required

CONSTRUCTION DETAILS

- Material:** Aluminum
Finish: Clear Anodize (std)
 Custom Colors (opt)

Models

- SPT-RE**
 With Volume Control Damper
 SPTN-RE
 Without Volume Control Damper



MODEL	NOM SUPPLY DUCT Ø	P	N, Ø	T	MODEL
SPT-RE-6	8"	3-11/16	2-15/16	5	SPTN-RE-6
SPT-RE-7	10"	4-3/8	3-9/16	5	SPTN-RE-7
SPT-RE-8	11"	4-3/4	3-15/16	5	SPTN-RE-8
SPT-RE-10	14"	6-7/8	5-1/2	5	SPTN-RE-10
SPT-RE-12	16"	7-7/8	6-1/2	5	SPTN-RE-12
SPT-RE-16	20"	9-3/4	9-1/16	8	SPTN-RE-16
SPT-RE-18	24"	11-5/8	10-1/4	8	SPTN-RE-18
SPT-RE-20	24"	11-5/8	12-1/4	8	SPTN-RE-20

All dimensions are in inches.

JOB NAME:

SUBMITTED BY: