

SUBMITTAL SHEET

www.anemostat-hvac.com

PUNKAH TYPE SPOT DIFFUSER

SURFACE MOUNTED W/ ROUND DUCT ADAPTER

PRODUCT FEATURES

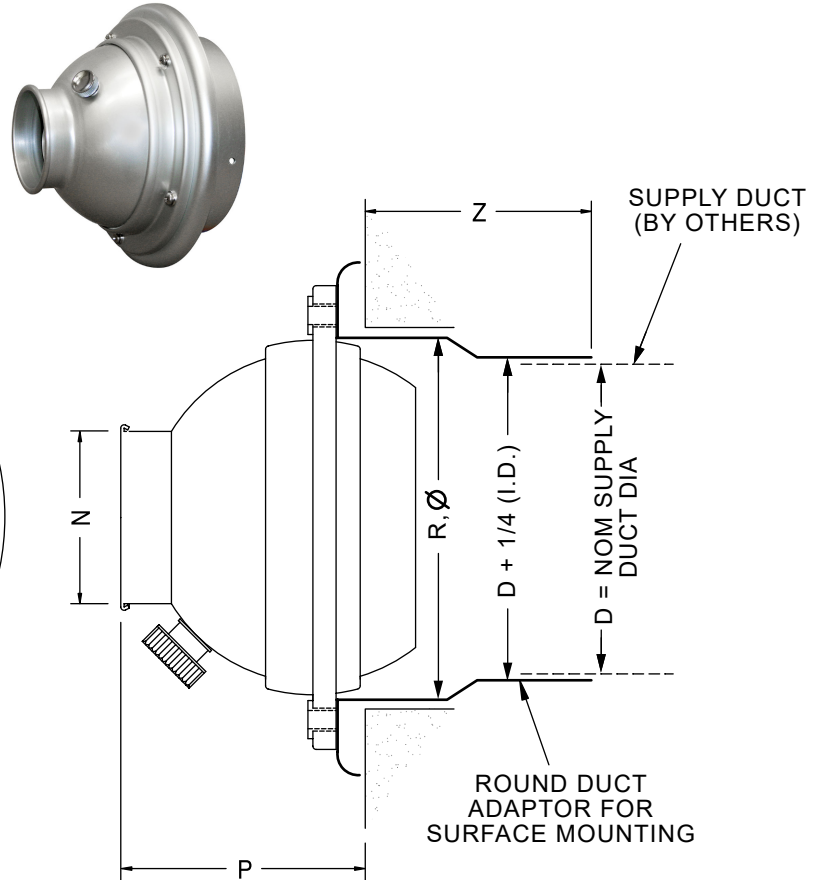
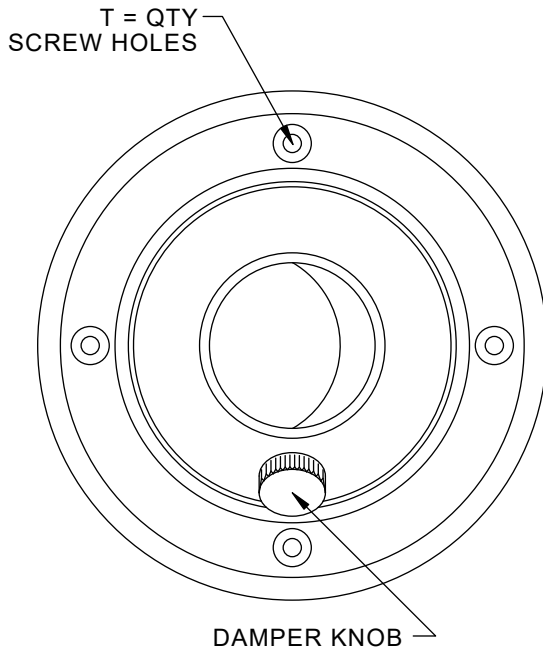
- Round duct adapter speeds installation for surface mounted diffusers
- Field adjustable directional control up to 75° total angle
- Includes screw holes and factory supplied screws
- Integral volume control damper changes effective nozzle area while maintaining jet discharge velocity. Adjustment knob means no tools required

CONSTRUCTION DETAILS

- Material:** Aluminum
- Finish:** Clear Anodize (Standard)
- Custom Color _____

MODELS

- SPT-SA w/ Volume Controller
- SPTN-SA No Volume Controller



MODEL	D = SUPPLY DUCT Ø	Z	N, Ø	P	T (# OF MTG HOLES)	R, Ø	MODEL
SPT-SA-06	6"	1-1/2	2-15/16	4-3/16	5	6-3/8	SPTN-SA-06
SPT-SA-07	7"	2	3-9/16	4-7/8	5	7-5/8	SPTN-SA-07
SPT-SA-08	8"	2	3-15/16	5-1/4	5	8-3/8	SPTN-SA-08
SPT-SA-10	10"	3-1/2	5-1/2	7-3/8	5	11-3/16	SPTN-SA-10
SPT-SA-12	12"	4	6-1/2	8-3/8	5	12-5/8	SPTN-SA-12
SPT-SA-16	16"	5	9-1/16	10-1/4	8	16-7/8	SPTN-SA-16
SPT-SA-18	20"	5	10-1/4	12-1/8	8	20-3/8	SPTN-SA-18
SPT-SA-20	20"	5	12-1/4	12-1/8	8	20-3/8	SPTN-SA-20

All dimensions are in inches.

JOB NAME:

SUBMITTED BY: