



Anemostat® SUBMITTAL

1220 Watson Center Road • Carson, CA 90745-4206
 (310) 835-7500 • FAX (310) 835-0448
 air@anemostat.com • www.anemostat-hvac.com

Model **SLSD-F** STEEL LINEAR SLOT DIFFUSERS SURFACE MOUNTED WITH FRAME TWO WAY THROW

D I F F U S E R S

PRODUCT FEATURES

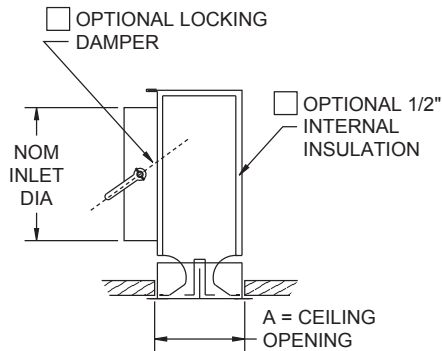
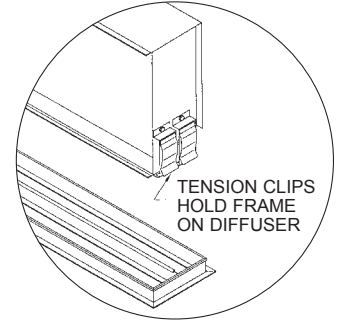
- Steel, fixed air pattern ceiling diffuser with 1 to 4 slots
- “Draftless” air distribution ideal for VAV systems
- Integral plenum reduces air leakage
- Choice of inlet locations. Specify type Z or U
- Frame snaps on to suspended diffuser, no visible frame fasteners

CONSTRUCTION DETAILS

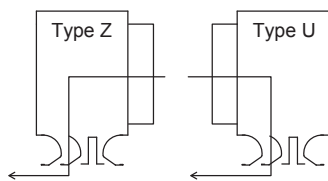
Material: 24 GA Galvannealed Steel - Diffuser
 Extruded Aluminum - Surface Frame

Finish: White on exposed surfaces (**std**)

- Special Finish (opt)



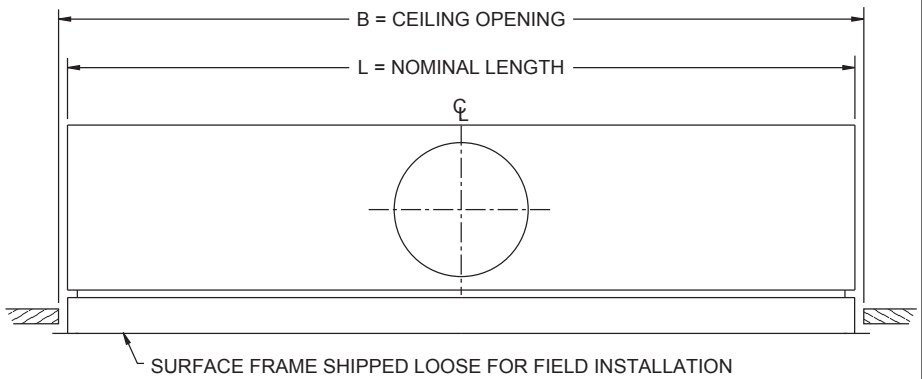
(PATTERN 11 SHOWN)



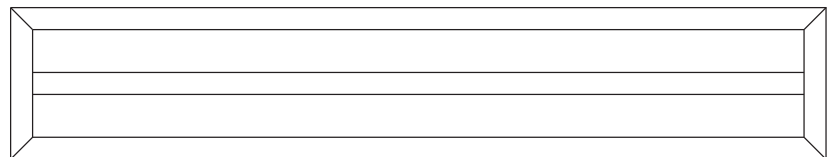
PLENUM INLET TYPES

AIR PATTERN	CEILING OPENING A	NOMINAL LENGTH L	CEILING OPENING B
11	4 3/4	24	24 3/4
12	6	36	36 3/4
22	7 1/4	48	48 3/4
13	7 1/4	60	60 3/4

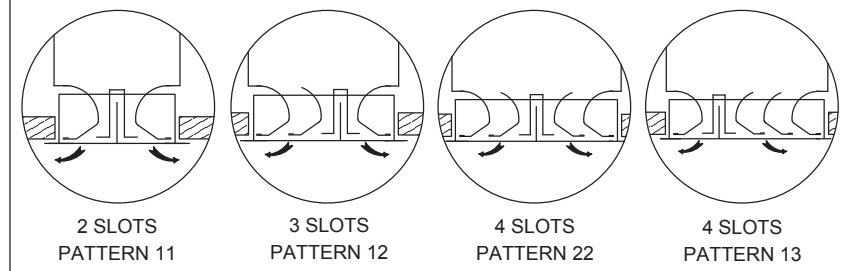
INLET DIAMETER	DIFFUSER HEIGHT H
5, 6	9 1/4
7, 8, 9	12 7/16
10	14



FACE VIEW OF SURFACE FRAME FOR TWO WAY PATTERNS
 (CENTER TEE INCORPORATED WITH FRAME))



TWO-WAY AIR FLOW PATTERNS
 (ALL 2 WAY DIFFUSERS STRADDLE EXISTING T-MEMBER - ENDCAPS ARE NOTCHED)



TILES SHOWN FOR CLARITY ONLY, PROVIDED BY OTHERS

All dimensions are in inches.

JOB NAME:

SUBMITTED BY: