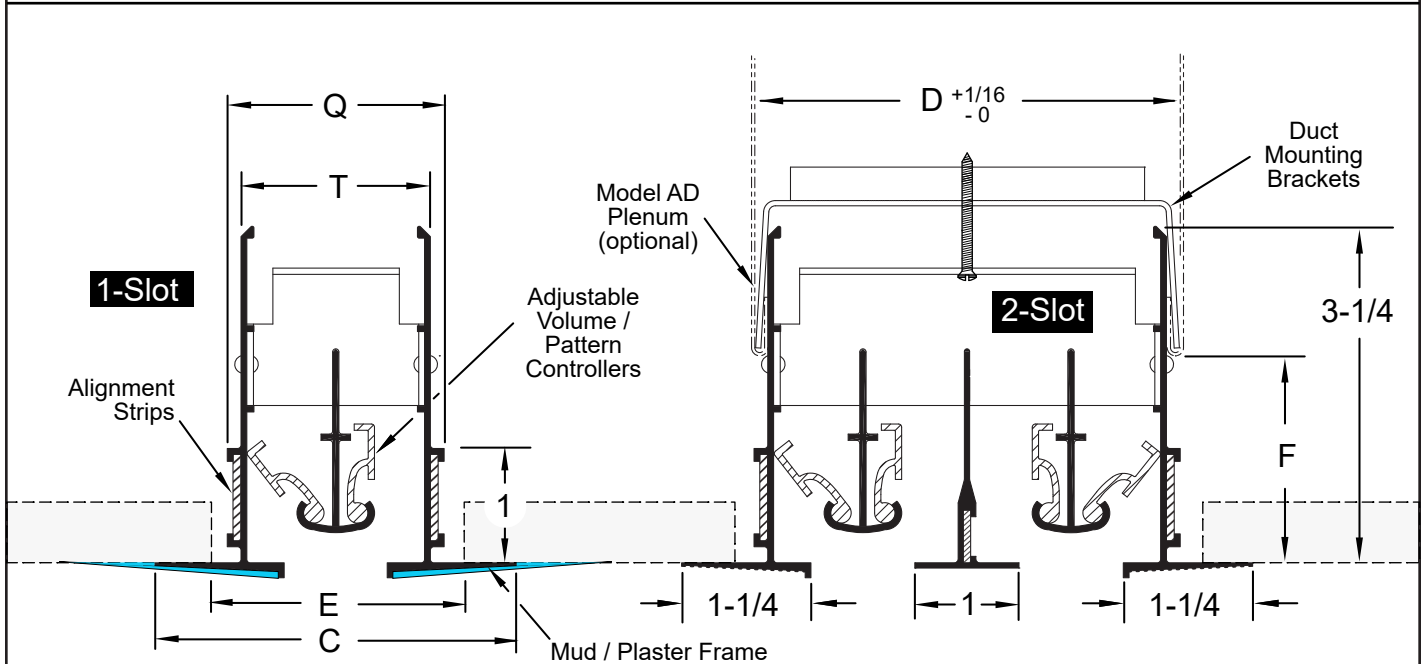


# SUBMITTAL SHEET

www.anemostat-hvac.com

Linear Slot Diffusers  
Plaster - Mud Frame / Border  
**1" Slot Width**

PRODUCT FEATURES	CONSTRUCTION DETAILS	MODELS
<ul style="list-style-type: none"> <li>• Pattern / volume controllers field adjusted for horizontal to vertical air discharge directions</li> <li>• Diffuser lengths can be ordered in 1/32" increments</li> <li>• Diffuser end caps factory attached &amp; tap onto diffuser ends</li> <li>• Continuous run applications use multiple diffusers using alignment strips in keyways (included if applicable)</li> <li>• Includes plenum mounting brackets and screws</li> <li>• See <b>Model AD</b> Air Distribution plenums engineered for use with this diffuser (optional)</li> </ul>	<ul style="list-style-type: none"> <li>• Extruded aluminum, adjustable linear slot diffuser</li> </ul> <p><b>Finish:</b></p> <ul style="list-style-type: none"> <li><input type="checkbox"/> Arctic White Center Tees (2+ Slots) Black Outer Frames &amp; Volume Pattern Controllers</li> <li><input type="checkbox"/> Optional Anemostat Color _____</li> <li><input type="checkbox"/> Custom Color Match _____</li> </ul>	<p><b>Supply Diffusers</b></p> <ul style="list-style-type: none"> <li><input type="checkbox"/> <b>SLAD-BF-100</b> 1" Slot</li> </ul> <p><b>Returns (No Volume / Pattern Controllers)</b></p> <ul style="list-style-type: none"> <li><input type="checkbox"/> <b>SLAR-BF-100</b> 1" Slot</li> </ul>



Models	Slot Width	# of Slots	E Ceiling Opening	C	D	T	Q	F Range
SLAD-BF-100	1"	1	2-1/2	3-1/2	2-5/16	2-1/16	2-9/32	2 to 2-3/4
		2	4-1/2	5-1/2	4-5/16	4-1/16	4-9/32	
		3	6-1/2	7-1/2	6-5/16	6-1/16	6-9/32	
		4	8-1/2	9-1/2	8-5/16	8-1/16	8-9/32	

All dimensions are in inches.

JOB NAME:

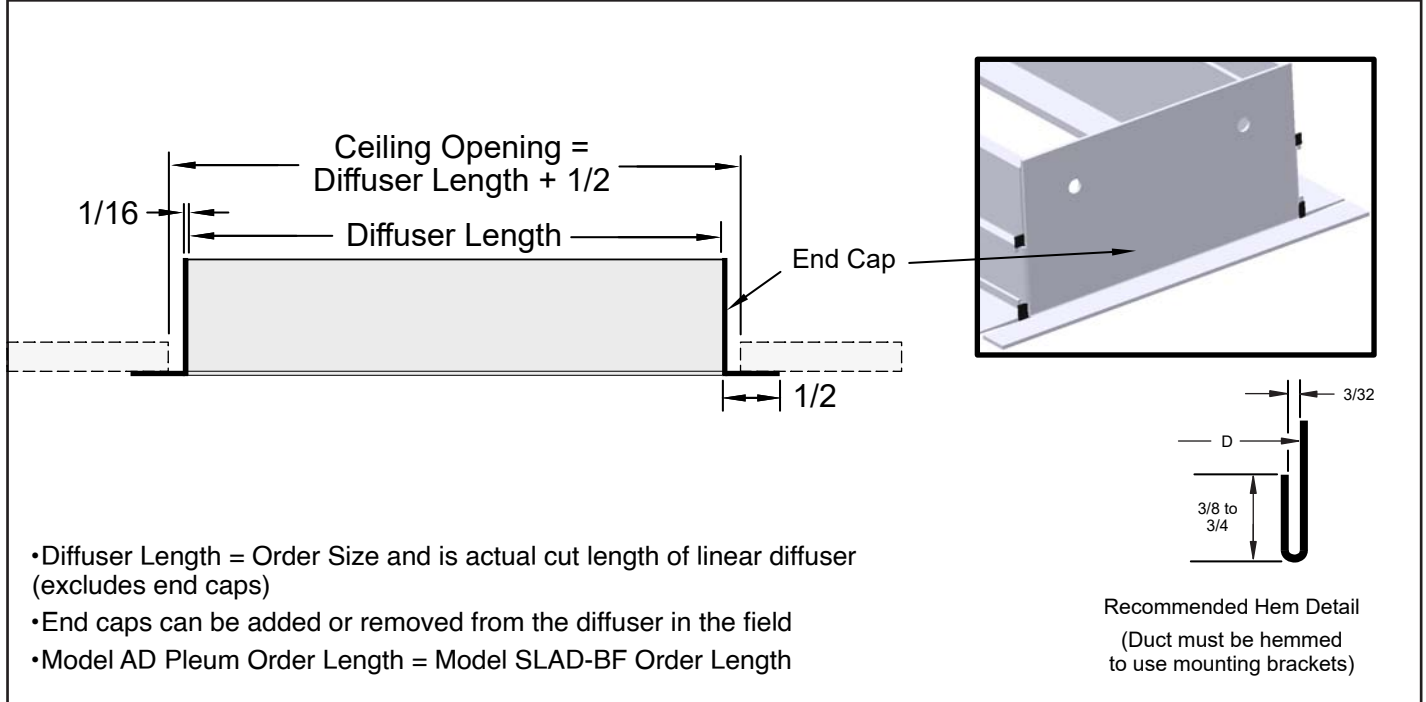
SUBMITTED BY:

# SUBMITTAL SHEET

www.anemostat-hvac.com

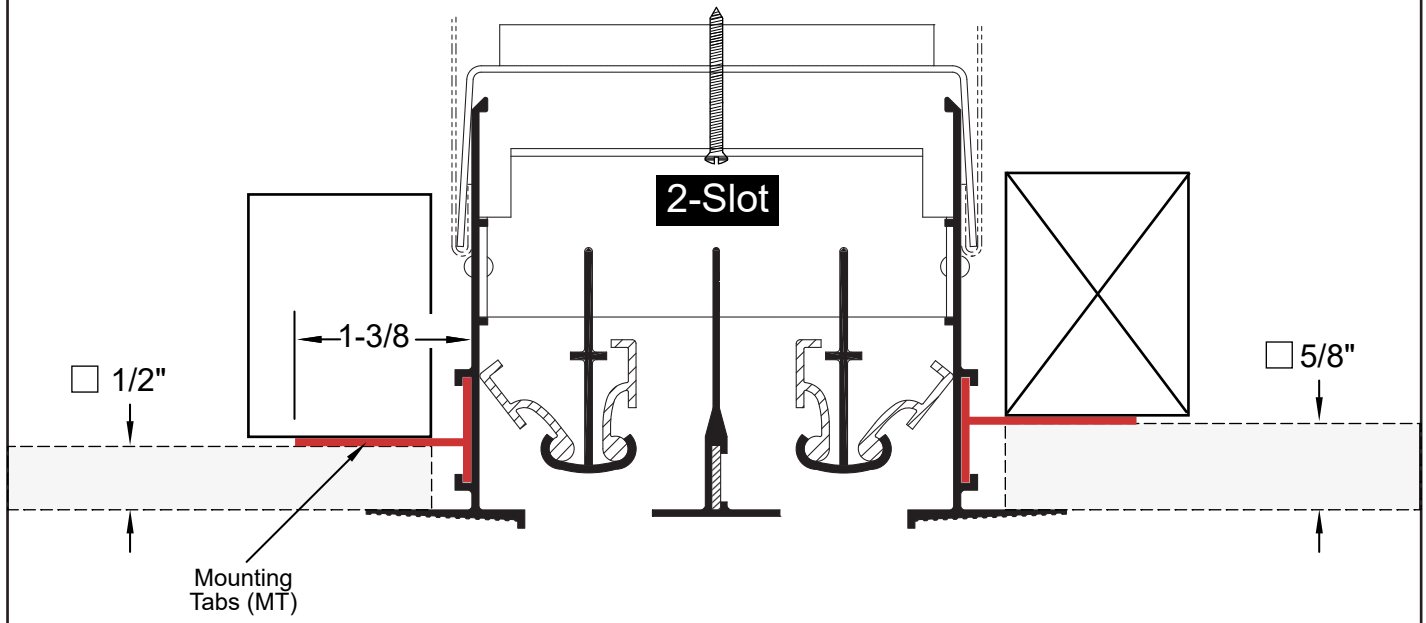
Models **SLAD-BF**  
**SLAR-BF**

Linear Slot Diffusers  
Plaster - Mud Frame / Border  
**1" Slot Width**



**Optional Mounting Tabs, Reversible (MT)**

- Mounting tabs are used to attach the linear diffuser to framed ceiling opening prior to the installation of the ceiling GWB (sheet rock)
- Tabs slide into outer frame keyways from the diffuser ends
- Reversible design for  $5/8$ " or  $1/2$ " ceiling thickness



JOB NAME:

SUBMITTED BY: