

**PRODUCT FEATURES**

- Adjustable volume and pattern controllers
- Flat face with radiused end caps
- Mounting brackets and screws provided (field installed)

**CONSTRUCTION FEATURES**

- Material:**  
Extruded aluminum
- Finish:**
- Arctic White (Black Pattern/Volume Controllers)
  - Natural Anodize (Black Pattern/Volume Controllers)
  - Custom Color : \_\_\_\_\_

**SUPPLY MODELS**

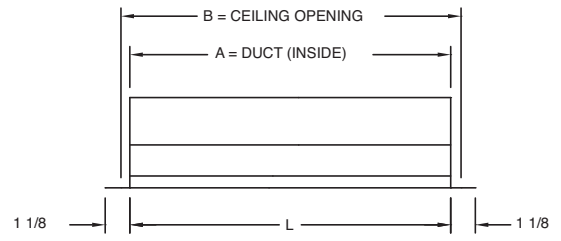
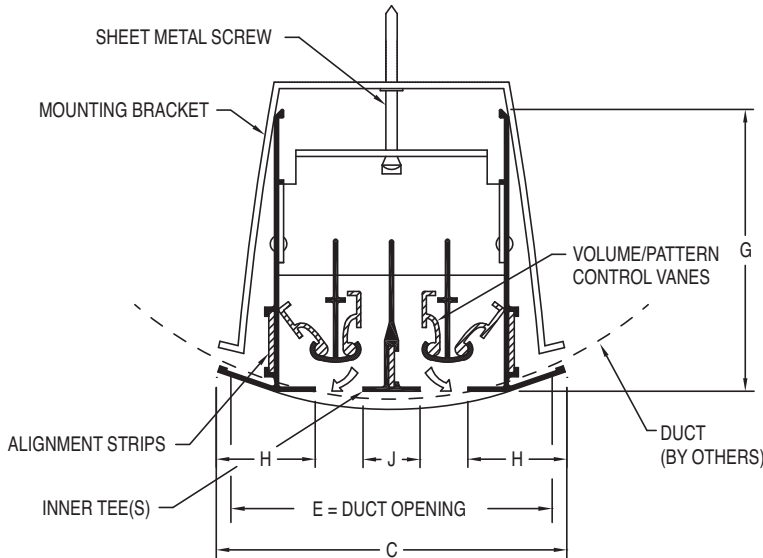
- SLAD-DM-50** 1/2" Slot Width (1-4 slots)
- SLAD-DM-75** 3/4" Slot Width (1-4 slots)
- SLAD-DM-100** 1" Slot Width (1-4 slots)
- SLAD-DM-150** 1-1/2" Slot Width (1-4 slots)

**RETURN MODELS** (No Internal Controllers)

- SLAR-DM-50** 1/2" Slot Width (1-4 slots)
- SLAR-DM-75** 3/4" Slot Width (1-4 slots)
- SLAR-DM-100** 1" Slot Width (1-4 slots)
- SLAR-DM-150** 1-1/2" Slot Width (1-4 slots)

**OPTIONS**

- LEC** Linear Egg Crate
- LED** Linear Equalizing Deflector



"L" - NOMINAL LENGTH (24, 36, 48, 60 & 72)  
 "A" - LENGTH OF DUCT (NOMINAL LENGTH + 1/4)  
 "B" - LENGTH OF CEILING OPENING (NOMINAL LENGTH + 1/2)

SLAD-DM-50 (1/2" SLOT WIDTH)						
# SLOTS	C*	E	H*	J	G	MIN DUCT $\phi$
1	2-3/4	1-3/4	1-1/8	-	2-15/16	5
2	4	3	1-1/8	3/4	2-15/16	7
3	5-1/4	4-1/4	1-1/8	3/4	2-15/16	9
4	6-1/2	5-1/2	1-1/8	3/4	2-15/16	12

SLAD-DM-100 (1" SLOT WIDTH)						
# SLOTS	C*	E	H*	J	G	MIN DUCT $\phi$
1	3-1/2	2-1/2	1-1/4	-	4-5/32	7
2	5-1/2	4-1/2	1-1/4	1	4-5/32	12
3	7-1/2	6-1/2	1-1/4	1	4-5/32	16
4	9-1/2	8-1/2	1-1/4	1	4-5/32	20

SLAD-DM-75 (3/4" SLOT WIDTH)						
# SLOTS	C*	E	H*	J	G	MIN DUCT $\phi$
1	3	2	1-1/8	-	2-15/16	5
2	4-1/2	3-1/2	1-1/8	3/4	2-15/16	8
3	6	5	1-1/8	3/4	2-15/16	12
4	7-1/2	6-1/2	1-1/8	3/4	2-15/16	14

SLAD-DM-150 (1-1/2" SLOT WIDTH)						
# SLOTS	C*	E	H*	J	G	MIN DUCT $\phi$
1	5-1/8	3-1/2	1-13/16	-	4-5/32	10
2	8-1/8	6-1/2	1-13/16	1-1/2	4-5/32	16
3	11-1/8	9-1/2	1-13/16	1-1/2	4-5/32	22
4	14-1/8	12-1/2	1-13/16	1-1/2	4-5/32	28

\*Approximate

All dimensions are in inches.

**JOB NAME:**

**SUBMITTED BY:**