



# Anemostat® SUBMITTAL

1220 Watson Center Road • Carson, CA 90745-4206  
(310) 835-7500 • FAX (310) 835-0448  
airhelp@anemostat.com • www.anemostat.com

for  
TechZone  
Ceilings  
**4"**

Model **TAZR4-75**  
**STRAIGHT LINE**  
**ADJUSTABLE DIFFUSER**  
15/16" TEGULAR  
3/4" SLOT WIDTH

## DIFFUSERS

### PRODUCT FEATURES

- Designed for use with Armstrong 4" TechZone Ceiling Systems
- Standard lengths = 24", 30", 36", 48", 60", 72" (custom lengths available)
- 3/4" Slot Width, 1 slot
- Includes plenum mounting yokes

### CONSTRUCTION DETAILS

- Extruded aluminum, adjustable linear slot diffuser

#### Finish:

- Arctic White Border and Center Tees, Black Volume / Pattern Controllers
- Optional Anemostat Color
- Custom Color Match

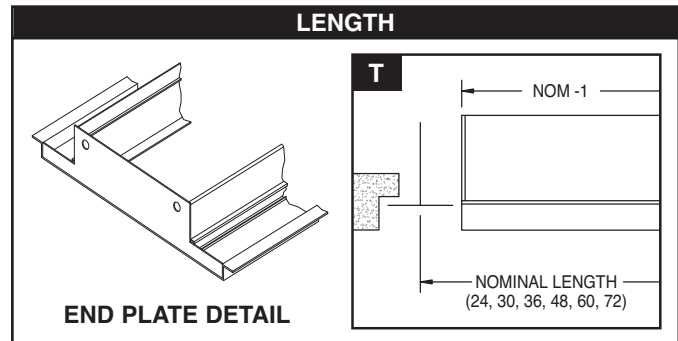
### MODELS

#### Supply Diffusers

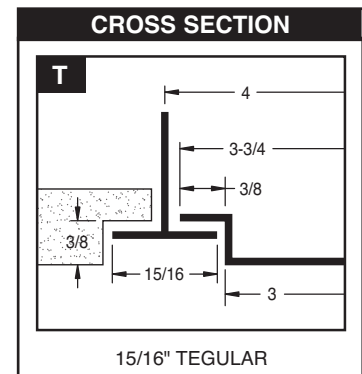
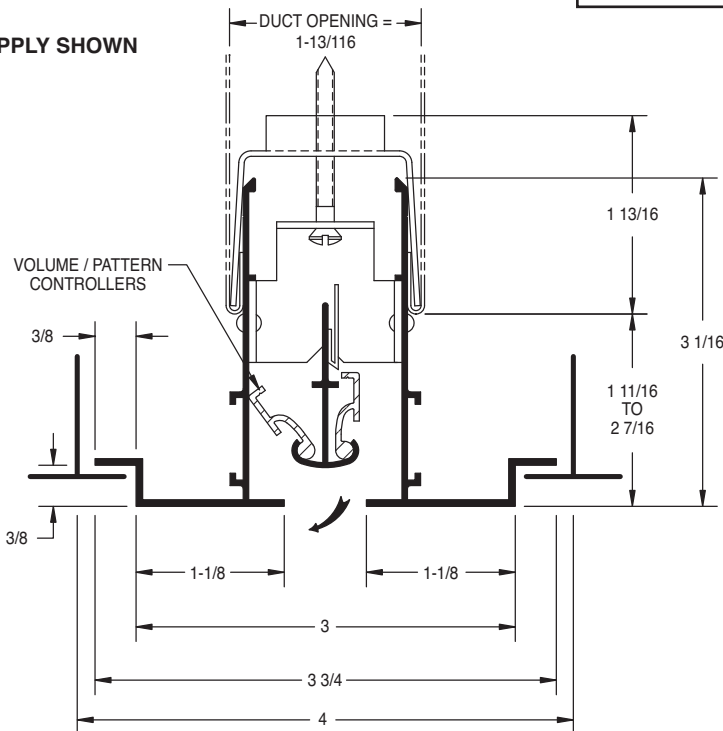
- TAZR4-S-T** 15/16" Tegular Ceiling

#### Returns (No Volume / Pattern Controllers)

- TAZR4-R-T** 15/16" Tegular Ceiling



### SUPPLY SHOWN



Armstrong and TechZone are registered trademarks of Armstrong World Industries, Inc.

All dimensions are in inches.

JOB NAME:

SUBMITTED BY: