



PRODUCT FEATURES

- Adjustable volume and pattern controllers
- Mounting brackets and screws provided (field installed)

CONSTRUCTION FEATURES

- Material:**
Extruded aluminum
- Finish:**
- Arctic White (Black Pattern/Volume Controllers)
 - Natural Anodize (Black Pattern/Volume Controllers)
 - Custom Color : _____

SUPPLY MODELS

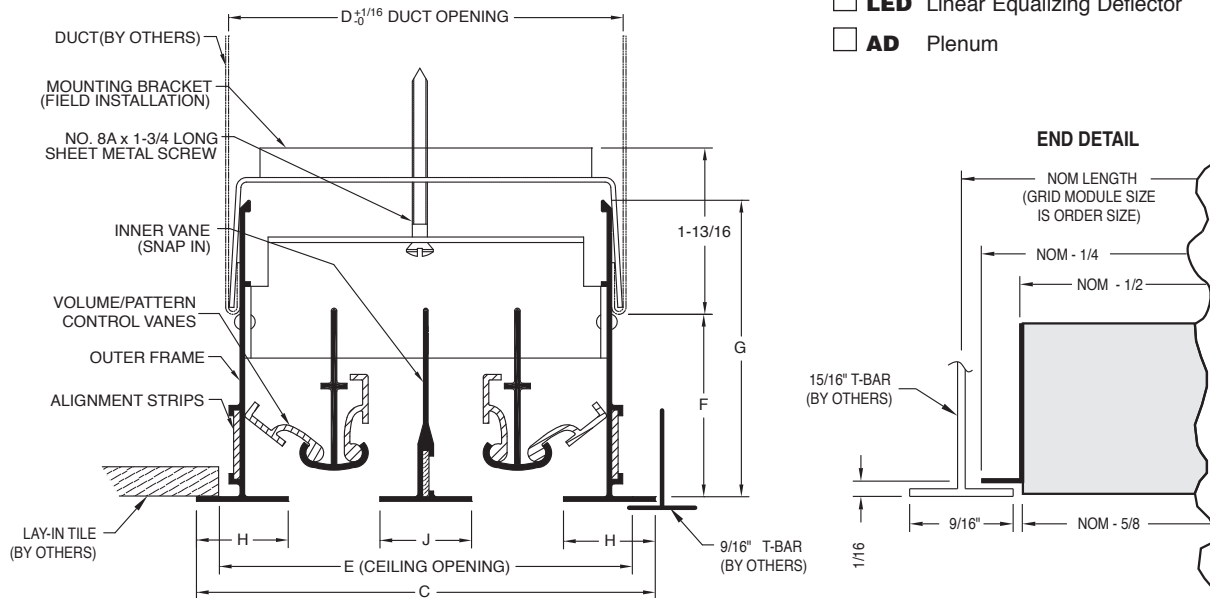
- SLAD-FL9-50** 1/2" Slot Width (1-4 slots)
- SLAD-FL9-75** 3/4" Slot Width (1-4 slots)
- SLAD-FL9-100** 1" Slot Width (1-4 slots)
- SLAD-FL9-150** 1-1/2" Slot Width (1-4 slots)

RETURN MODELS (No Internal Controllers)

- SLAR-FL9-50** 1/2" Slot Width (1-4 slots)
- SLAR-FL9-75** 3/4" Slot Width (1-4 slots)
- SLAR-FL9-100** 1" Slot Width (1-4 slots)
- SLAR-FL9-150** 1-1/2" Slot Width (1-4 slots)

OPTIONS

- LEC** Linear Egg Crate
- LED** Linear Equalizing Deflector
- AD** Plenum



SLAD-FL-50 • 1/2" SLOT WIDTH							
# SLOTS	C	D	E	J	F	G	H
1	2-3/4	1-9/16	2	-	1-5/8 to 1-7/8	2-15/16	1-1/8
2	4	2-13/16	3-1/4	3/4	1-5/8 to 2-3/8		
3	5-1/4	4-1/16	4-1/2	3/4			
4	6-1/2	5-5/16	5-3/4	3/4			

SLAD-FL-75 • 3/4" SLOT WIDTH							
# SLOTS	C	D	E	J	F	G	H
1	3	1-13/16	2-1/4	-	1-5/8 to 2-3/8	2-15/16	1-1/8
2	4-1/2	3-5/16	3-3/4	3/4			
3	6	4-13/16	5-1/4	3/4			
4	7-1/2	6-5/16	6-3/4	3/4			

SLAD-FL-100 • 1" SLOT WIDTH							
# SLOTS	C	D	E	J	F	G	H
1	3-1/2	2-5/16	2-1/2	-	2 to 2-3/4	3-9/32	1-1/4
2	5-1/2	4-5/16	4-1/2	1			
3	7-1/2	6-5/16	6-1/2	1			
4	9-1/2	8-5/16	8-1/2	1			

SLAD-FL-150 • 1-1/2" SLOT WIDTH							
# SLOTS	C	D	E	J	F	G	H
1	5-1/8	3-5/16	3-3/4	-	2-7/8 to 3-5/8	4-5/32	1-13/16
2	8-1/8	6-5/16	6-3/4	1-1/2			
3	11-1/8	9-5/16	9-3/4	1-1/2			
4	14-1/8	12-5/16	12-3/4	1-1/2			

All dimensions are in inches.

JOB NAME:

SUBMITTED BY: