



### PRODUCT FEATURES

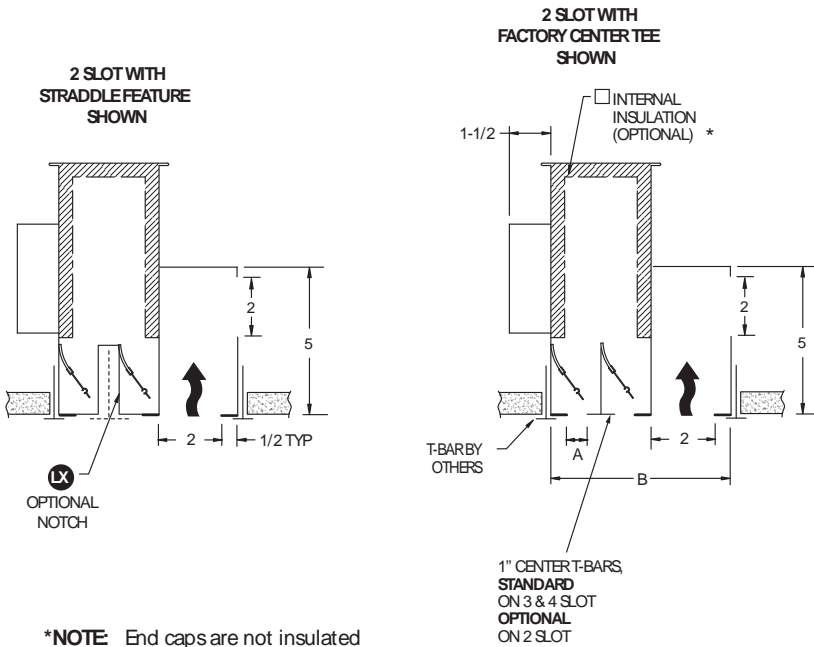
- 1,2,3, or 4 parallel slots integrated into a coated steel supply plenum with one side ceiling return slot
- 3/4", 1", 1-1/2" slot widths
- 24", 36", 48", 60" nominal lengths (custom lengths available)

### CONSTRUCTION DETAILS

- Material:** 24 GA Zinc-Coated Steel
- Finish:** Flat black on exposed  
 Di user Face surfaces **(std)**  
 Factory attached T-Bars are white
- Custom Colors (opt)

### MODELS

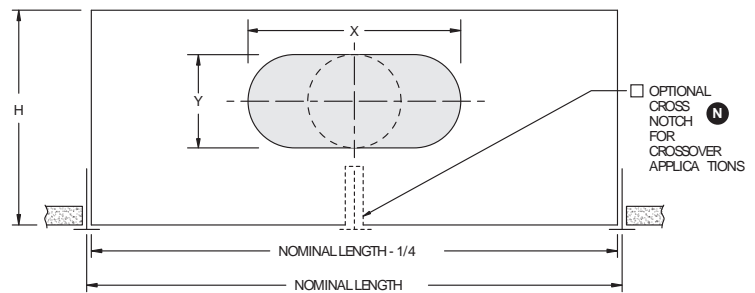
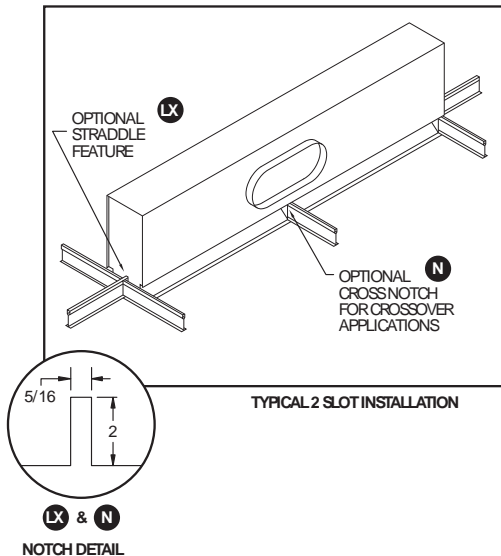
- SCD-C-L All center Tees included
- SCD-C-L-N 2' x 2' Crossover, All center Tees included (notch in center of 4' plenum)
- SCD-C-LX Straddle (2 slot only - NO center Tee). Unit includes notched end caps for grid member.
- SCD-C-LX-N Combination Crossover and Straddle feature (2 slot only)



\*NOTE: End caps are not insulated

	Inlet Size	X	Y	H
1 & 2 SLOT	5" Ø	4-7/8	4-7/8	8
	6" Oval	6-13/32	4-7/8	8
	8" Oval	9-19/32	4-7/8	8
	10" Oval	12-23/32	4-7/8	8
3 & 4 SLOT	12" Oval	14-5/32	7-7/8	11
	5" Ø	4-7/8	4-7/8	11
	6" Ø	5-7/8	5-7/8	11
	8" Ø	7-7/8	7-7/8	11
	10" Oval	11	7-7/8	11
	12" Oval	14-5/32	7-7/8	11

	SLOT WIDTH A	DIFFUSER B				NOM LENGTH
		1-SLOT	2-SLOT	3-SLOT	4-SLOT	
SCD-75	3/4"	4-1/4	6	7-3/4	9-1/2	24, 30, 36, 48, 60
SCD-10	1"	4-1/2	6-1/2	8-1/2	10-1/2	
SCD-15	1-1/2"	5	7-1/2	10	12-1/2	

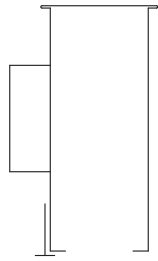


All dimensions are in inches.

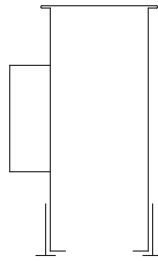
JOB NAME:

SUBMITTED BY:

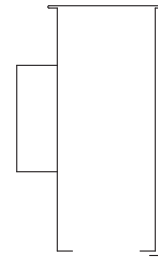
**FACTORY INSTALLED SIDE TEES / CLIPS**  
(FACTORY TEES ARE 1" WIDE - WHITE FINISH)



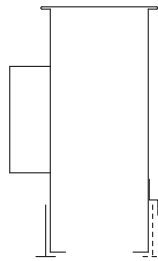
**OPTION 1**  
ONE SIDE TEE  
(INLET SIDE)



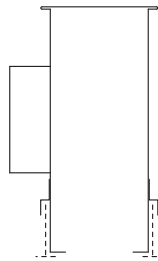
**OPTION 2**  
TWO SIDE TEE



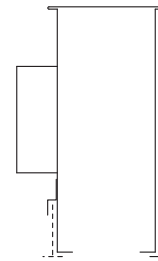
**OPTION 3**  
ONE SIDE TEE  
(NON-INLET SIDE)



**OPTION A**  
ONE SIDE TEE  
(INLET SIDE)  
+ T-BAR CLIPS

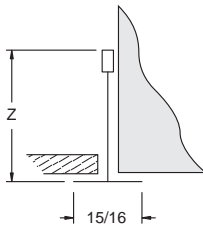


**OPTION B**  
T-BAR CLIPS  
(BOTH SIDES)

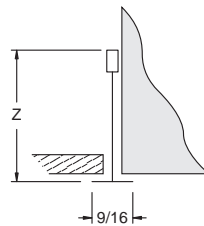


**OPTION C**  
ONE SIDE TEE  
(NON-INLET SIDE)  
+ T-BAR CLIPS

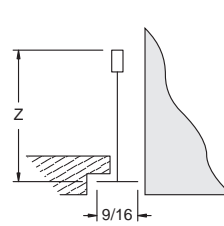
**GRID / CEILING TYPE**



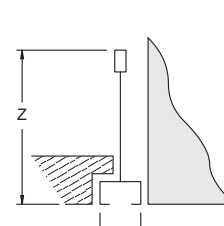
**15/16" LAY-IN**



**9/16" LAY-IN**



**9/16" TEGULAR**



**9/16" NARROW SLOT**

CEILING MANUFACTURER:

Z =

MODEL:

All dimensions are in inches.

**JOB NAME:**

**SUBMITTED BY:**