

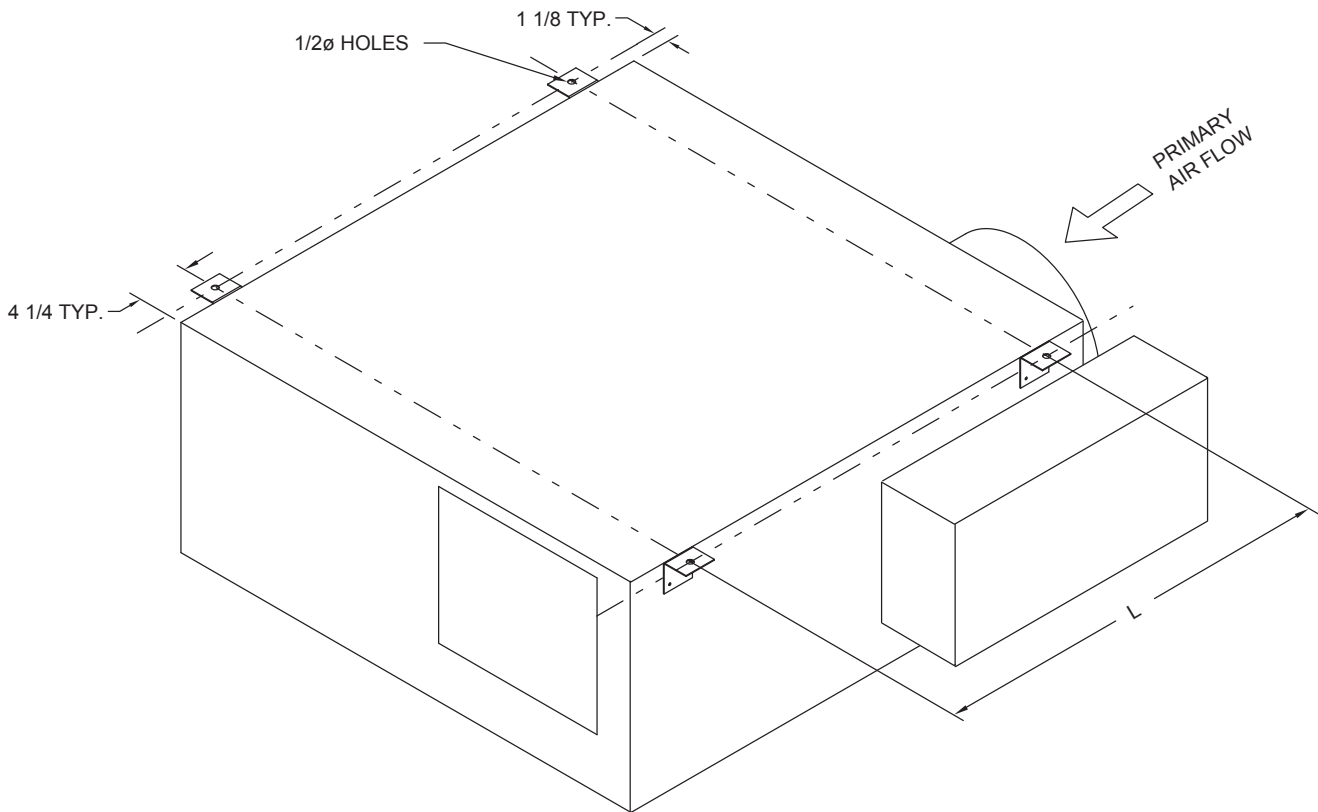


Anemostat® SUBMITTAL

1220 Watson Center Road • Carson, CA 90745-4206
 (310) 835-7500 • FAX (310) 835-0448
 air@anemostat.com • www.anemostat-hvac.com

Models **QST/EST/QPT**
FAN POWERED
AIR TERMINALS
 FIELD INSTALLED MOUNTING BRACKETS
 RECOMMENDED LOCATIONS

AIR TERMINALS



Model Number EST	Model Number QST	L Basic Assembly	L Double Wall & Low Temp. Casing
	17	27-1/2	28-1/2
33	25	27-1/2	28-1/2
50	50	31-1/2	32-1/2
75	75	39-1/2	40-1/2
10	10	39-1/2	40-1/2

Model Number QPT Cabinet	L Basic Assembly	L Double Wall & Low Temp. Casing
1	21-1/2	22-1/2
2	25-1/2	26-1/2
3	31-1/2	32-1/2

All dimensions are in inches.

JOB NAME:

SUBMITTED BY: