

SUBMITTAL SHEET

www.anemostat-hvac.com

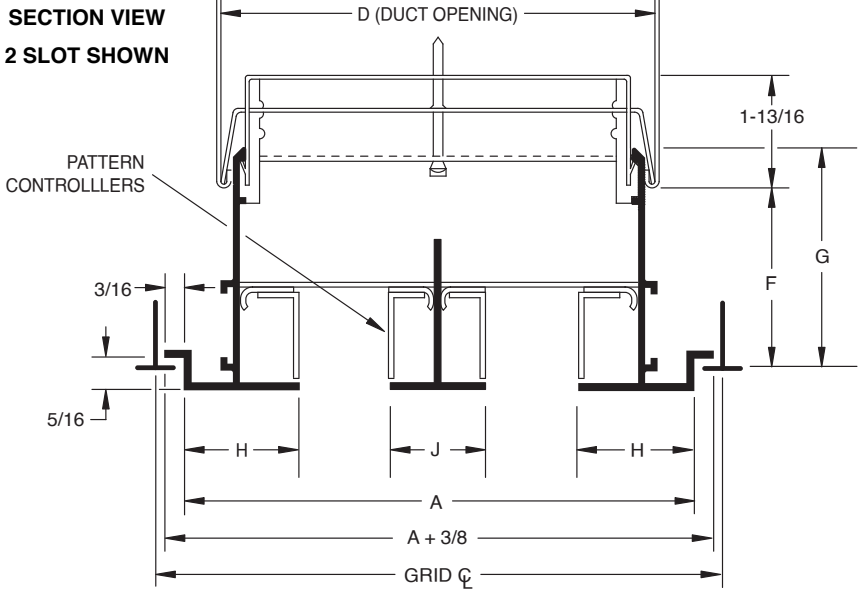
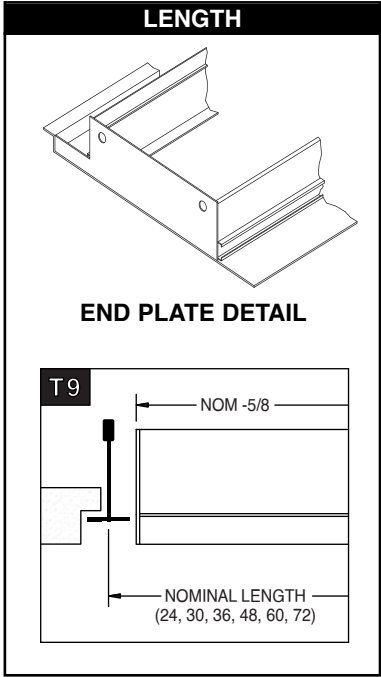
Architectural Linear Diffuser
9/16" Tegular (T9) Grid Systems
2", 2-1/2", 3" Slot Widths

PRODUCT FEATURES	CONSTRUCTION DETAILS	MODELS
<ul style="list-style-type: none"> Designed for use with 9/16" Tegular ceiling grid systems Standard lengths = 24", 30", 36", 48", 60", 72" (custom lengths available) Includes plenum mounting brackets and screws See Model AD Air Distribution plenums engineered for use with this diffuser 	<ul style="list-style-type: none"> Extruded aluminum, adjustable linear slot diffuser Finish: <ul style="list-style-type: none"> <input type="checkbox"/> Arctic White Outer Frames and Center Tees Black Volume / Pattern Controllers <input type="checkbox"/> Optional Anemostat Color _____ <input type="checkbox"/> Custom Color Match _____ 	<p>Supply Diffusers</p> <ul style="list-style-type: none"> <input type="checkbox"/> PJ-T9-200 2" Slot <input type="checkbox"/> PJ-T9-250 2-1/2" Slot <input type="checkbox"/> PJ-T9-300 3" Slot <p>Returns (No Volume / Pattern Controllers)</p> <ul style="list-style-type: none"> <input type="checkbox"/> FFR-T9-200 2" Slot <input type="checkbox"/> FFR-T9-250 2-1/2" Slot <input type="checkbox"/> FFR-T9-300 3" Slot

PJ-T9-200 • 2" SLOT WIDTH							
# SLOTS	Cross Section Grid CL	A	D	J	F	G	H
1	6-15/16	6-5/16	4-5/16	-	1-9/16 TO 1-15/16	2-13/32	2-5/32
2	10-15/16	10-5/16	8-5/16	2			

PJ-T9-250 • 2-1/2" SLOT WIDTH							
# SLOTS	Cross Section Grid CL	A	D	J	F	G	H
1	7-7/16	6-13/16	5-5/16	-	2-1/32 TO 2-13/32	2-7/8	2-5/32
2	12-7/16	11-13/16	10-5/16	2-1/2			

PJ-T9-300 • 3" SLOT WIDTH							
# SLOTS	Cross Section Grid CL	A	D	J	F	G	H
1	7-15/16	7-5/16	6-5/16	-	2-5/32 TO 2-17/32	3	2-5/32
2	13-15/16	13-5/16	12-5/16	3			



JOB NAME: _____ **SUBMITTED BY:** _____