

SUBMITTAL SHEET

www.anemostat-hvac.com

Architectural Linear Diffuser
Combo Surface (S) & Beveled
Plaster (B) Frames
1 Slot

PRODUCT FEATURES

- Designed for use with combination Surface (S) / Beveled Plaster (B) Frame applications
- Standard lengths = 24", 30", 36", 48", 60", 72" (custom lengths available)
- Includes plenum mounting brackets and screws
- See Model AD Air Distribution plenums engineered for use with this diffuser

CONSTRUCTION DETAILS

- Extruded aluminum, adjustable linear slot diffuser

Finish:

- Arctic White S Outer Frame and Center Tees
Black Beveled Plaster Frame & Volume Pattern Controllers
- Optional Anemostat Color _____
- Custom Color Match _____

MODELS

Supply Diffusers

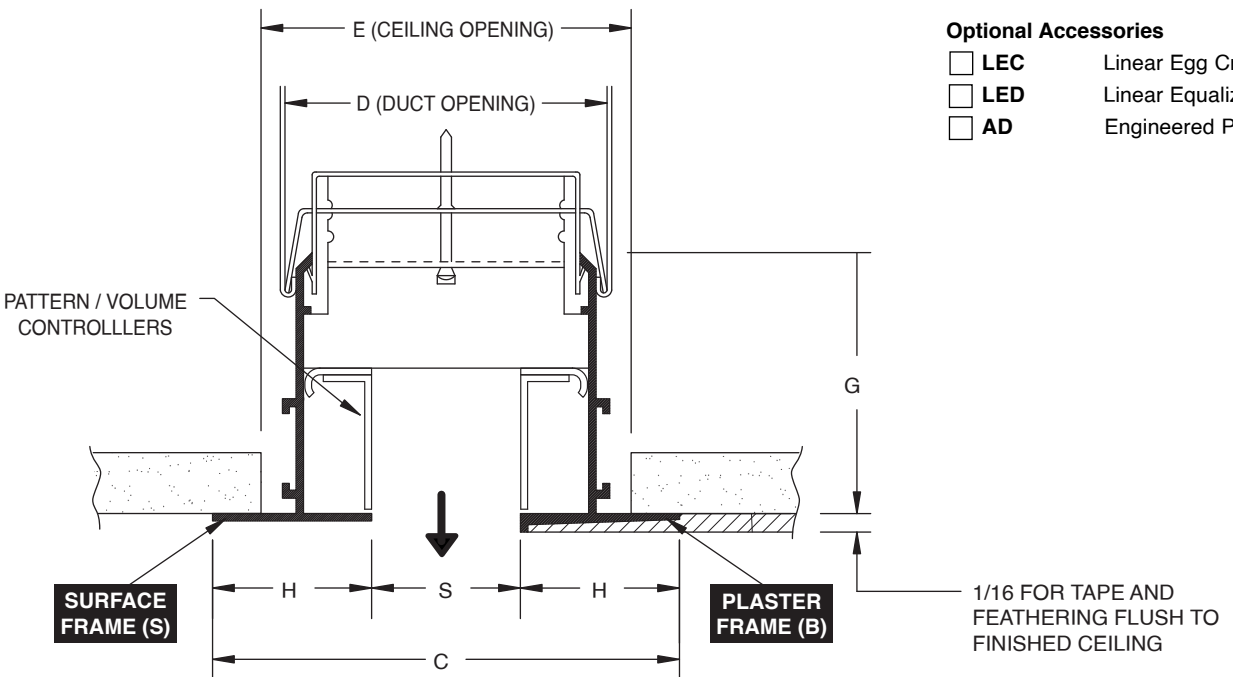
- PJ-SB-100-1** 1" Slot
- PJ-SB-150-1** 1-1/2" Slot
- PJ-SB-200-1** 2" Slot
- PJ-SB-250-1** 2-1/2" Slot
- PJ-SB-300-1** 3" Slot

Returns (No Volume / Pattern Controllers)

- FFR-SB-100-1** 1" Slot
- FFR-SB-150-1** 1-1/2" Slot
- FFR-SB-200-1** 2" Slot
- FFR-SB-250-1** 2-1/2" Slot
- FFR-SB-300-1** 3" Slot

Optional Accessories

- LEC** Linear Egg Crate
- LED** Linear Equalizing Deflector
- AD** Engineered Plenum



1/16" FOR TAPE AND FEATHERING FLUSH TO FINISHED CEILING

1 SLOT						
MODEL	S	C	D	E	G	H
PJ-SB-100-1	1	3-1/2	2-5/16	2-3/8	2-1/16	1-1/4
PJ-SB-150-1	1-1/2	4-1/2	3-5/16	3-3/8	2-9/16	1-1/2
PJ-SB-200-1	2	5-1/2	4-5/16	4-3/8	2-5/8	1-3/4
PJ-SB-250-1	2-1/2	6-1/2	5-5/16	5-3/8	3-3/32	2
PJ-SB-300-1	3	7	6-5/16	6-3/8	3-7/32	2

All dimensions are in inches.

JOB NAME: _____

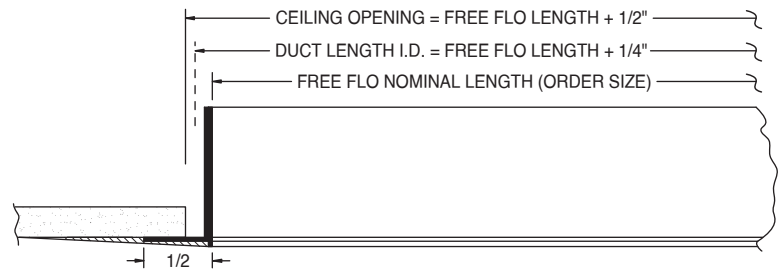
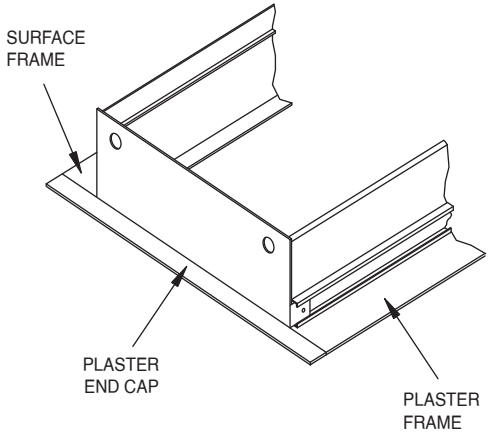
SUBMITTED BY: _____

SUBMITTAL SHEET

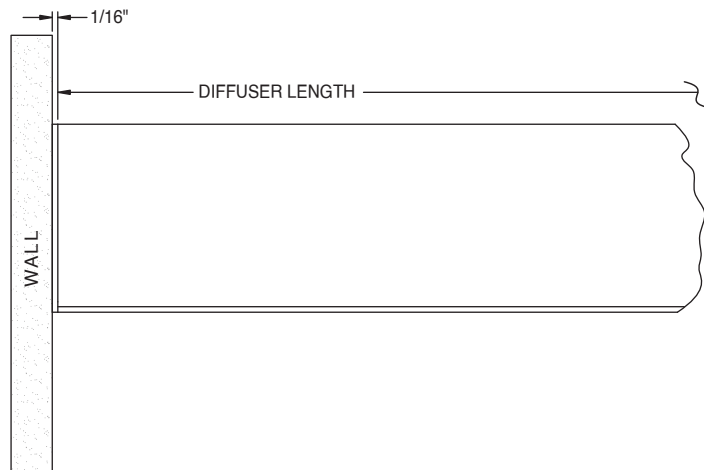
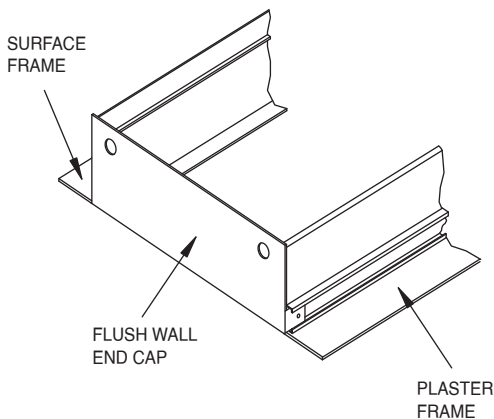
www.anemostat-hvac.com

Architectural Linear Diffuser
Combo Surface (S) & Beveled
Plaster (B) Frames
End Cap Options

TYPE "A" END PLATE - PLASTER



TYPE "B" END PLATE - FLUSH



All dimensions are in inches.

JOB NAME:

SUBMITTED BY: