

SUBMITTAL SHEET

www.anemostat-hvac.com

Architectural Linear Diffuser

Combo 9/16" Tegular (T9) & Mud (BF) Frames

1" Slot Width

PRODUCT FEATURES

- Designed for use with combination 9/16" Tegular / Mud-Plaster frame applications
- Field adjustable pattern / volume controllers
- Standard lengths = 24", 30", 36", 48", 60", 72" (custom lengths available)
- Includes plenum mounting brackets and screws
- See Model AD Air Distribution plenums engineered for use with this diffuser

CONSTRUCTION DETAILS

- Extruded aluminum, adjustable linear slot diffuser

Finish:

- Arctic White T9 Outer Frame and Center Tees
- Black Beveled BF Frame & Volume / Pattern Controllers
- Optional Anemostat Color _____
- Custom Color Match _____

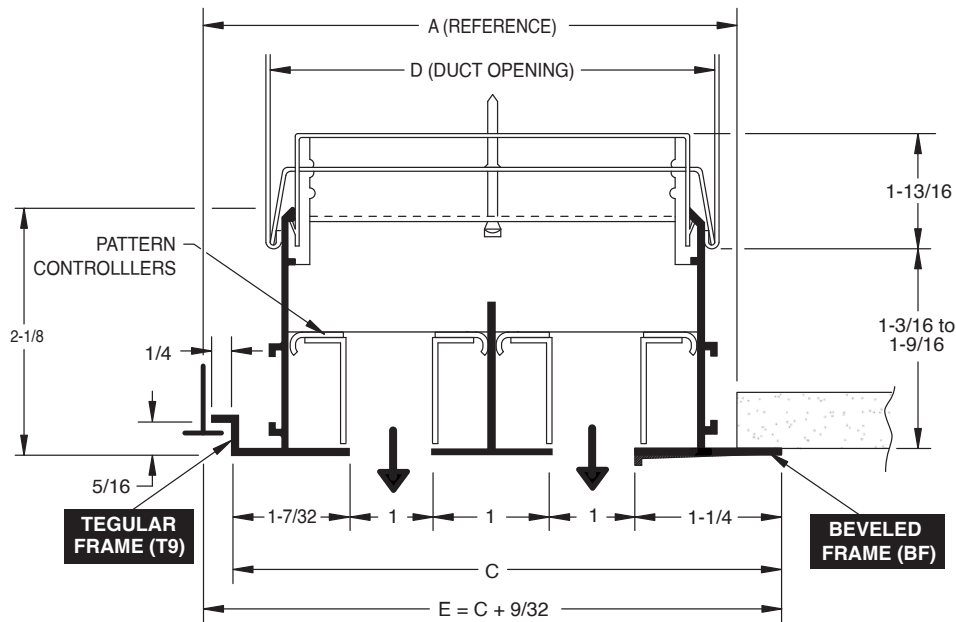
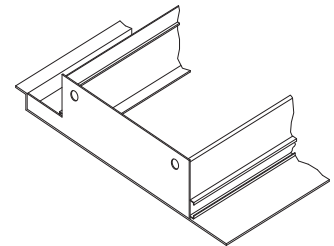
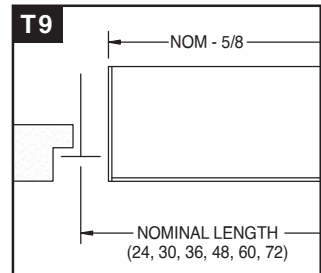
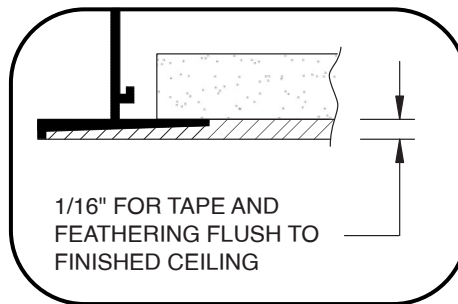
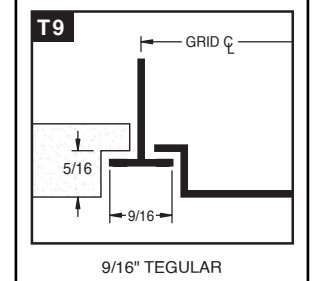
MODELS
Supply Diffusers

- PJ-T9B-100** 1" Slot

Returns (No Volume / Pattern Controllers)

- FFR-T9B-100** 1" Slot

Model AD engineered plenum length to order is Grid / Module Size - 5/8"

SECTION VIEW
2 SLOT SHOWN

LENGTH

END PLATE DETAIL

BEVELED MUD / PLASTER FRAME DETAIL

CROSS SECTION


PJ-T9B-100 • 1" SLOT WIDTH				
# SLOTS	A	C	E	D
1	3-1/4	3-15/32	3-3/4	2-5/16
2	5-1/4	5-15/32	5-3/4	4-5/16
3	7-1/4	7-15/32	7-3/4	6-5/16
4	9-1/4	9-15/32	9-3/4	8-5/16

All dimensions are in inches.

JOB NAME:

SUBMITTED BY: