



PRODUCT FEATURES

- Linear slot diffuser for 9/16" Lay-In T-Bar Grid Systems
- Internal controllers adjustable for pattern and volume control

CONSTRUCTION FEATURES

- Material:**
Extruded aluminum
- Finish:**
- Arctic White (Black Pattern/Volume Controllers)
 - Natural Anodize (Black Pattern/Volume Controllers)
 - Custom Color : _____

SUPPLY MODELS

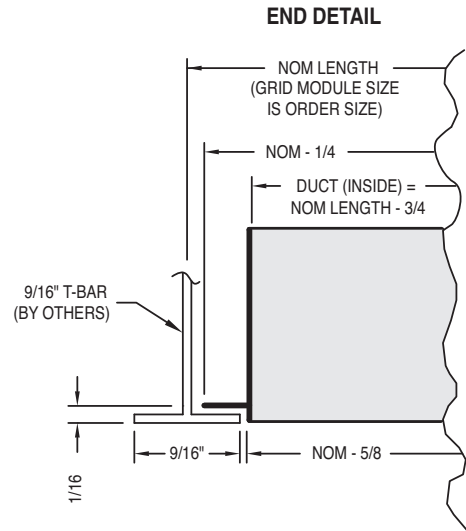
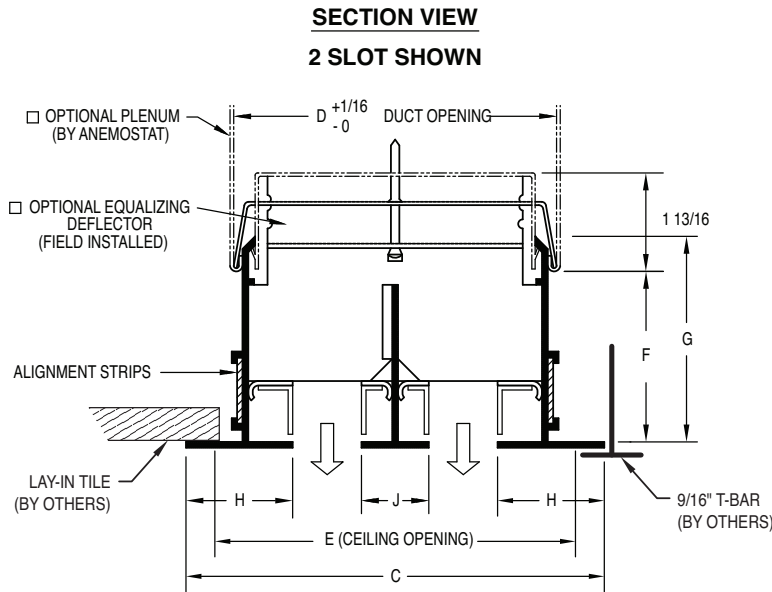
- PJ-L9-200** 2" Slot Width (1-4 slots)
- PJ-L9-250** 2-1/2" Slot Width (1-2 slots)
- PJ-L9-300** 3" Slot Width (1-2 slots)

RETURN MODELS (No Internal Controllers)

- PJR-L9-200** 2" Slot Width (1-4 slots)
- PJR-L9-250** 2-1/2" Slot Width (1-2 slots)
- PJR-L9-300** 3" Slot Width (1-2 slots)

OPTIONS

- LEC** Linear Egg Crate
- LED** Linear Equalizing Deflector
- AD** Plenum



PJ-L9-200 • 2" SLOT WIDTH							
# SLOTS	C	D	E	J	F	G	H
1	5-1/2	4-5/16	4-3/8	-	1-25/32 to 2-5/32	2-5/8	1-3/4
2	9-1/2	8-5/16	8-3/8	2			
3	3-1/2	12-5/16	12-3/8	2			
4	17-1/2	16-5/16	16-3/8	2			

PJ-L9-250 • 2-1/2" SLOT WIDTH							
# SLOTS	C	D	E	J	F	G	H
1	6-1/2	5-5/16	5-3/8	-	2-1/4 to	3-3/32	2
2	11-1/2	10-5/16	10-3/8	2-1/2	2-5/8		

PJ-L9-300 • 3" SLOT WIDTH							
# SLOTS	C	D	E	J	F	G	H
1	7	6-5/16	6-3/8	-	2-3/8 to	3-7/32	2
2	13	12-5/16	12-3/8	3	2-3/4		

All dimensions are in inches.

JOB NAME:

SUBMITTED BY: