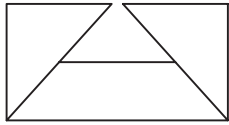


SUBMITTAL SHEET



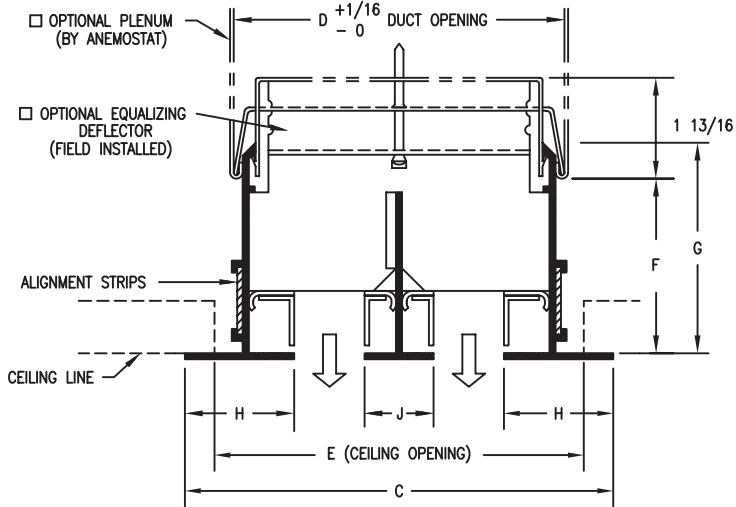
® from: **ANEMOSTAT**®

CARSON CA
310-835-7500

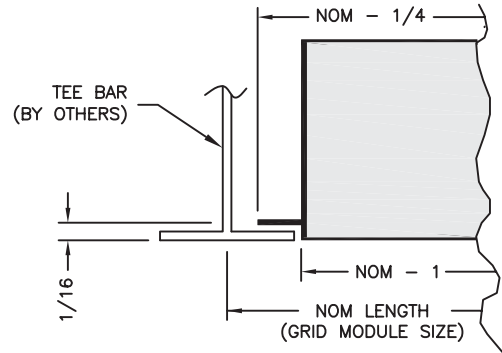
MODEL P JL-200

Pro Jet™
ARCHITECTURAL
LINEAR DIFFUSER
15/16" LAY-IN T-BAR

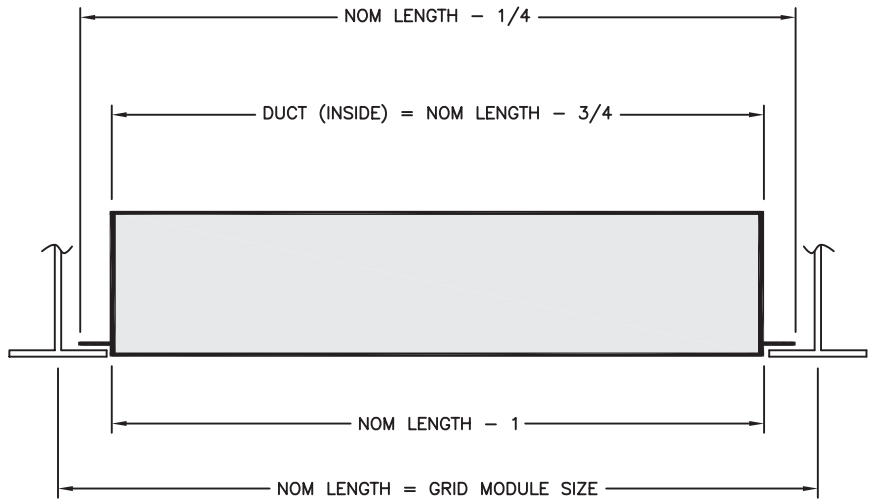
2 SLOT SHOWN



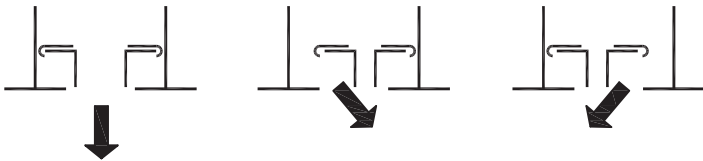
END DETAIL



P JL-200 (2" SLOT WIDTH)							
# OF SLOTS	C	D	E	F	G	H	J
1	5 1/2	4 5/16	4 3/8	1 25/32 TO 2 5/32	2 5/8	1 3/4	-
2	9 1/2	8 5/16	8 3/8				2
3	13 1/2	12 5/16	12 3/8				
4	17 1/2	16 5/16	16 3/8				



PATTERN FLEXIBILITY



MATERIAL: .050 ALUMINUM EXTRUSION
GALVANIZED HARDWARE

FINISH: FACING - WHITE
INTERIOR COMPONENTS - BLACK

ASSEMBLY: ALIGNMENT STRIPS AND MOUNTING
BRACKETS FURNISHED FOR FIELD
ASSEMBLY AND INSTALLATION

All Dimensions are in Inches

JOB NAME:	SUBMITTED BY:
LOCATION:	
ARCHITECT:	
ENGINEER:	
CONTRACTOR:	
	DWG # PJ-S-0027
	DATE 3-24-10 REV B