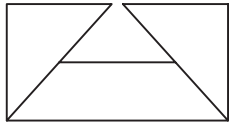


SUBMITTAL SHEET



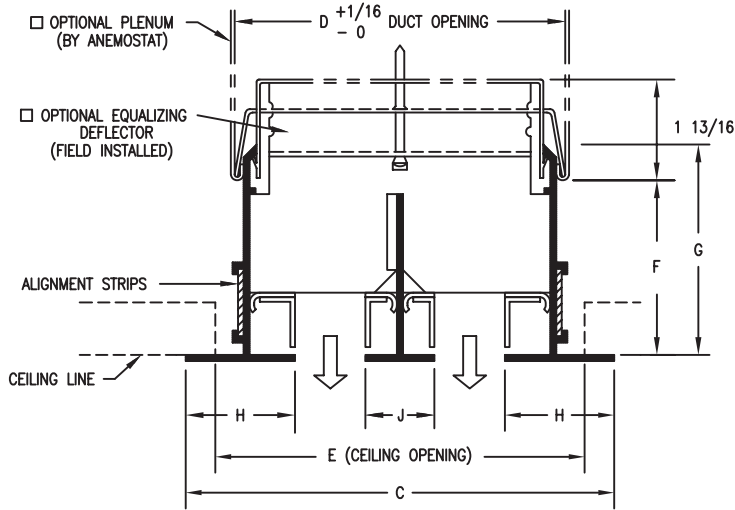
® from: **ANEMOSTAT**®

CARSON CA
310-835-7500

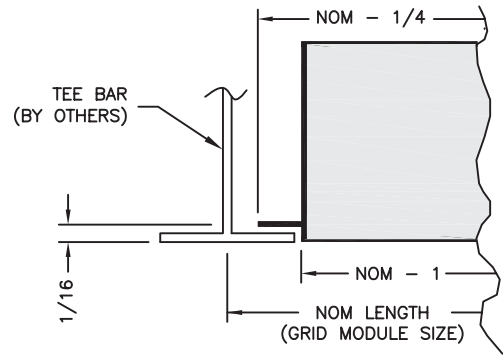
MODEL PJL-150

Pro Jet[™]
ARCHITECTURAL
LINEAR DIFFUSER
15/16" LAY-IN T-BAR

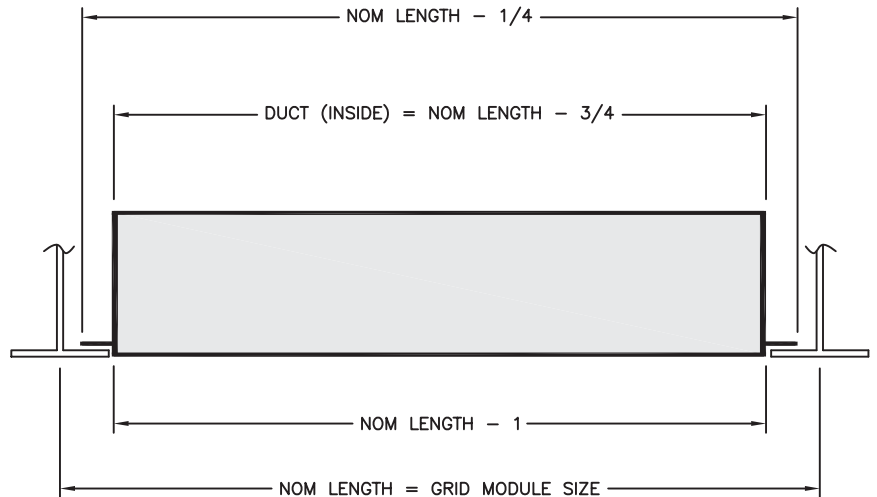
2 SLOT SHOWN



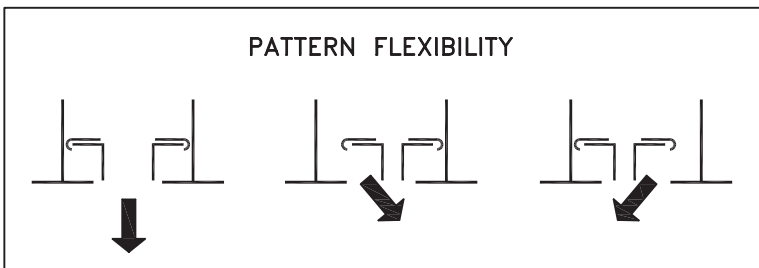
END DETAIL



PJL-150 (1 1/2" SLOT WIDTH)							
# OF SLOTS	C	D	E	F	G	H	J
1	4 1/2	3 5/16	3 3/8	1 23/32 TO 2 3/32	2 9/16	1 1/2	-
2	7 1/2	6 5/16	6 3/8				1 1/2
3	10 1/2	9 5/16	9 3/8				
4	13 1/2	12 5/16	12 3/8				



PATTERN FLEXIBILITY



MATERIAL: .050 ALUMINUM EXTRUSION
GALVANIZED HARDWARE

FINISH: FACING - WHITE
INTERIOR COMPONENTS - BLACK

ASSEMBLY: ALIGNMENT STRIPS AND MOUNTING
BRACKETS FURNISHED FOR FIELD
ASSEMBLY AND INSTALLATION

All Dimensions are in Inches

JOB NAME:	SUBMITTED BY:
LOCATION:	
ARCHITECT:	
ENGINEER:	
CONTRACTOR:	
	DWG # PJ-S-0026
	DATE 3-24-10 REV B