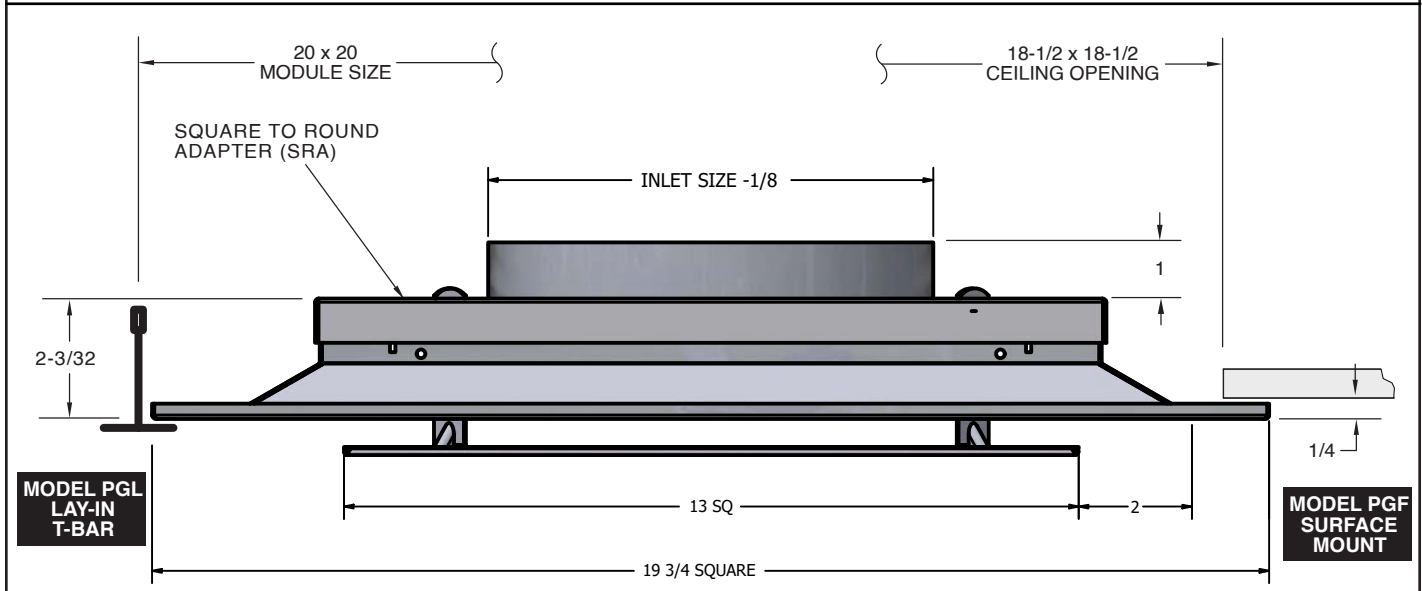


SUBMITTAL SHEET

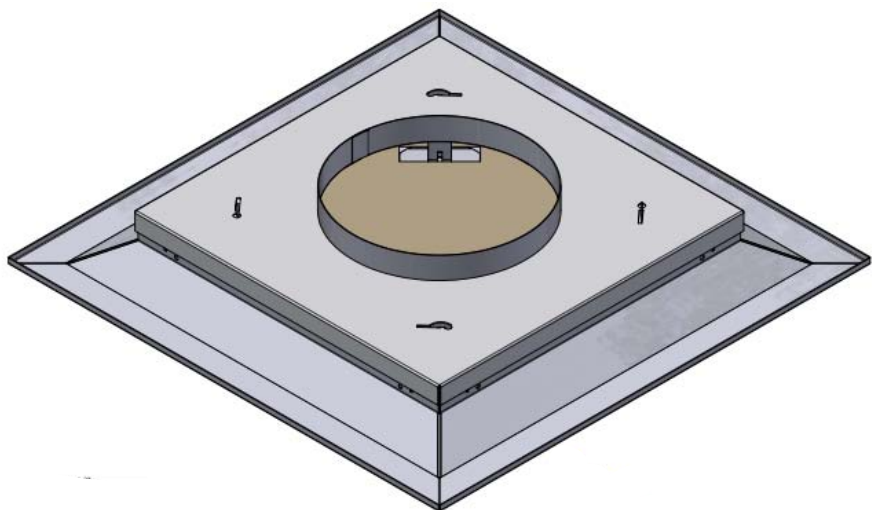
NOMINAL SIZE 20" X 20"

www.anemostat-hvac.com

PRODUCT FEATURES	CONSTRUCTION DETAILS	MODELS
<ul style="list-style-type: none"> • Optional volume control damper, accessible from room side • Removable inner plaque assembly 	Material: <input type="checkbox"/> Steel Diffuser w/ Steel SRA <input type="checkbox"/> Aluminum Diffuser w/ Steel SRA Finish: <input type="checkbox"/> Arctic White <input type="checkbox"/> Custom Color Match	<input type="checkbox"/> Model PGL Lay-in T-Bar <input type="checkbox"/> Model PGF Surface ACCESSORIES <input type="checkbox"/> Model VD Volume Damper, butterfly type, steel <input type="checkbox"/> Model TBF Tee Bar Frame, extruded aluminum



Available Inlet Sizes (Dia)
04
05
06
07
08
09
10
12



All dimensions are in inches.

JOB NAME:

SUBMITTED BY: