

Anemostat® SUBMITTAL

1220 Watson Center Road • Carson, CA 90745-4206
(310) 835-7500 • FAX (310) 835-0448
air@anemostat.com • www.anemostat-hvac.com

Model **PGE-22**
PARAGON DIFFUSER
1/8" PLAQUE DROP
SUPPLY / RETURN
24 X 24 ECOPHON FOCUS™ D
CEILING SYSTEM

DIFFUSERS

PRODUCT FEATURES

- Optional volume control damper, accessible from room side
- Removable inner plaque assembly
- Optional blankoff baffles, field installed
- Designed for Ecophon Focus™ D ceiling installations

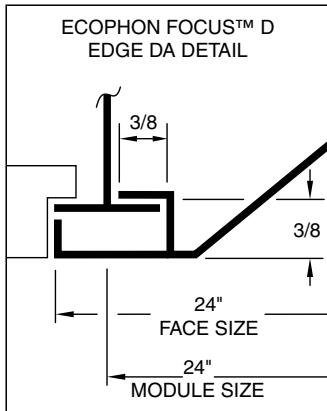
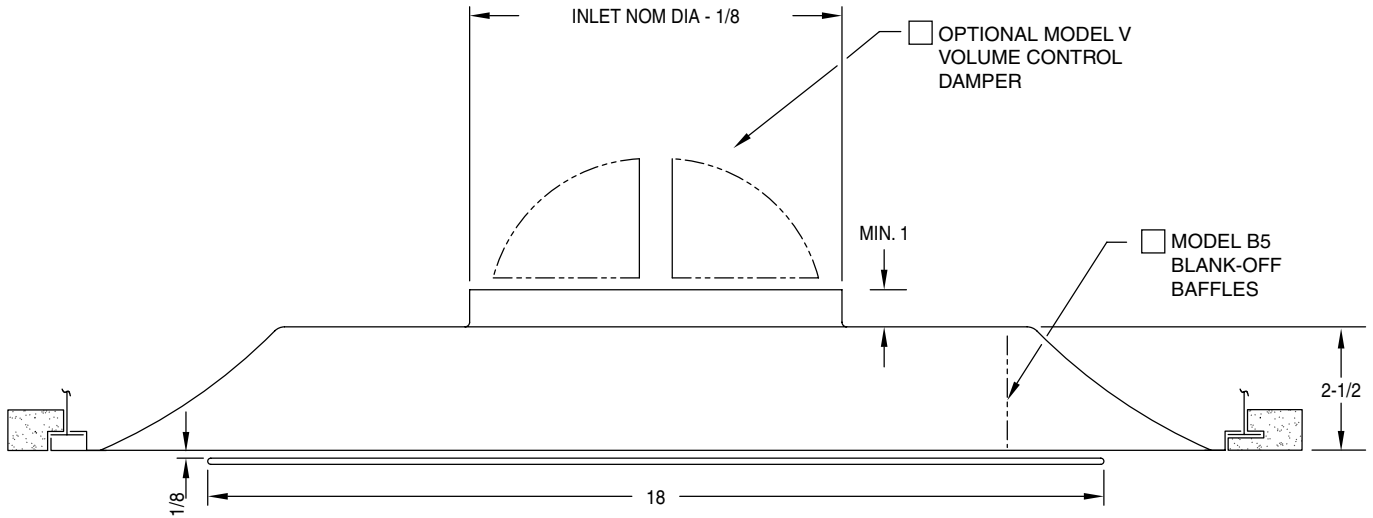
CONSTRUCTION DETAILS

Material: Cold Rolled Steel (std)

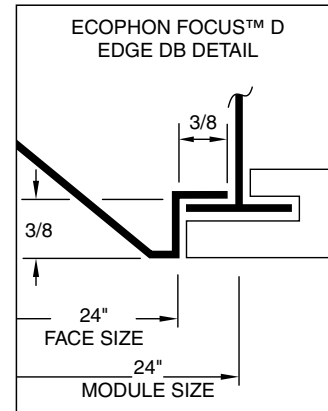
- Aluminum (opt)
- 304 Stainless Steel (opt)

Finish: White (std)

- Custom Colors (opt)



AVAILABLE INLET SIZES
4Ø
5Ø
6Ø
8Ø
10Ø
12Ø
14Ø
15Ø



Focus D is a Trademark of Ecophon

All dimensions are in inches.

JOB NAME:

SUBMITTED BY: