



Anemostat®

SUBMITTAL

1220 Watson Center Road • Carson, CA 90745-4206
 (310) 835-7500 • FAX (310) 835-0448
 air@anemostat.com • www.anemostat-hvac.com

Model **MVB-S**
BLANK-OFF PANEL
SOLID PANEL
LAY-IN T-BAR

DIFFUSERS

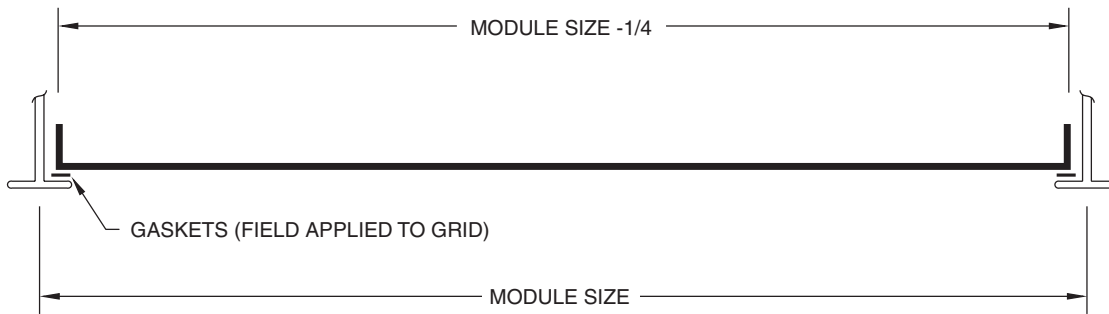
PRODUCT FEATURES

- Solid panel to match material / finish of adjacent active panels
- Gasketing shipped loose for field application (1/16" x 3/8" PSA 1-side)

MATERIAL AND FINISH

- Steel with White Baked Epoxy (white gasket)
- Aluminum with White Baked Epoxy (white gasket)
- 304 Stainless Steel, #4 Polish (black gasket)
- 304 Stainless Steel with White Baked Epoxy (white gasket)

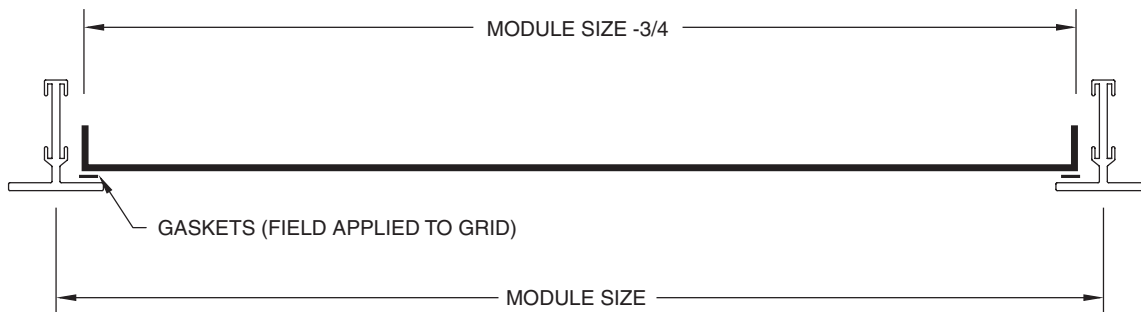
MVB-S / 1.0 (15/16" Lay-In T-Bar Grid System)



MODULE SIZES

12 x 24
12 x 36
12 x 48
12 x 60
12 x 72
24 x 24
24 x 36
24 x 48
24 x 60
24 x 72
36 x 36
36 x 48
36 x 60
36 x 72

MVB-S / 1.5 (Use with THD-1500 Grid System)



MODULE SIZES

12-1/8 x 24-1/4
12-1/8 x 36-3/8
12-1/8 x 48-1/2
12-1/8 x 60-5/8
12-1/8 x 72-3/4
24-1/4 x 24-1/4
24-1/4 x 36-3/8
24-1/4 x 48-1/2
24-1/4 x 60-5/8
24-1/4 x 72-3/4
36-3/8 x 36-3/8
36-3/8 x 48-1/2
36-3/8 x 60-5/8
36-3/8 x 72-3/4

All dimensions are in inches.

JOB NAME:

SUBMITTED BY: