

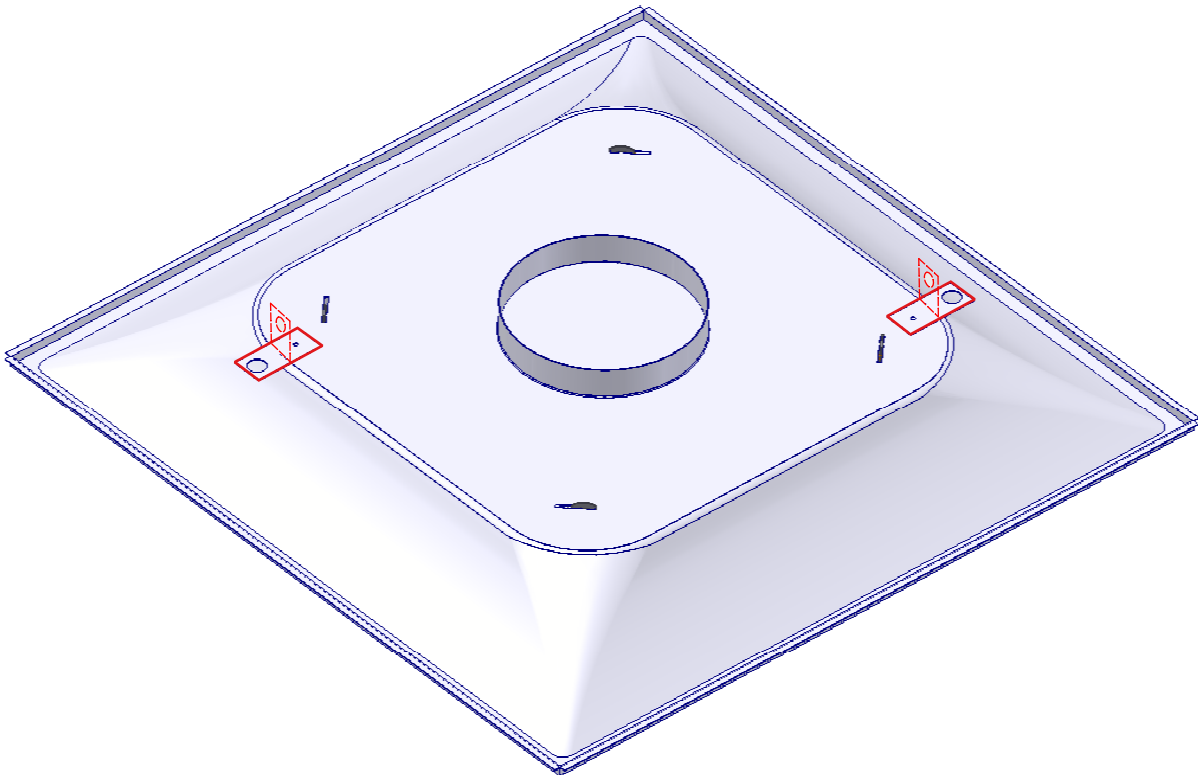
SUBMITTAL SHEET

OPTIONAL FEATURE

www.anemostat-hvac.com

PRODUCT FEATURES

- This optional feature adds (2) spot-welded sheet metal tabs to the back of a ceiling diffuser or return unit. The tabs provide attachment points for support wire, etc. to prevent the ceiling diffuser / return from falling to the floor caused by a seismic event or any incidental shifting of the grid system or supporting structure. Shown below is this feature when used with Model PG plaque style ceiling diffuser.
- Available with all Anemostat air distribution models. Steel, Aluminum, or Stainless Steel construction.
- Tabs may be shipped flat on certain air distribution for packaging. Bend up to vertical before attaching support wire / cable, as necessary.



All dimensions are in inches.

JOB NAME:

SUBMITTED BY: