

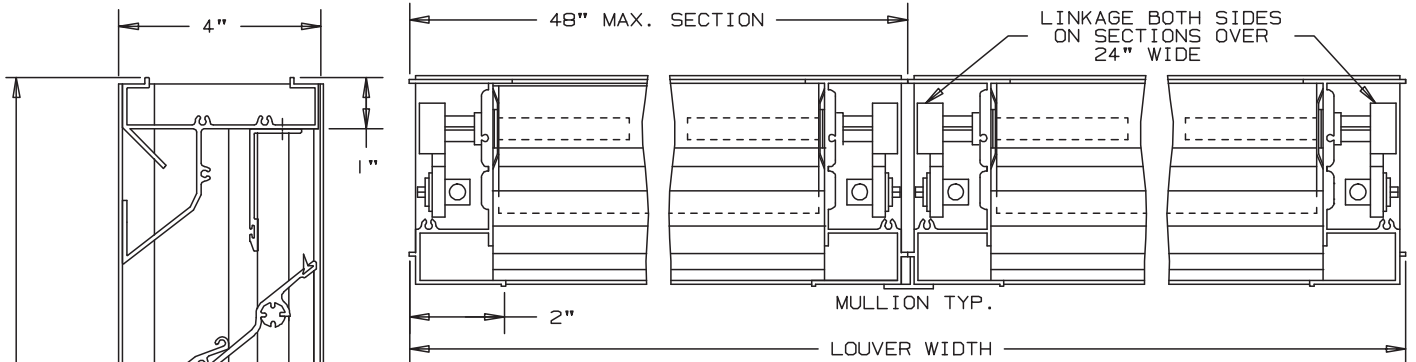


Anemostat®
AIR DISTRIBUTION

MODEL **LA480D**

EXTRUDED ALUMINUM LOUVERS
COMBINATION ADJUSTABLE AND STATIONARY DRAIN 4" DEEP

DRAIN LOUVER - 35° STATIONARY BLADES



SPECIFICATIONS

FRAME AND STATIONARY BLADE: EXTRUDED ALUMINUM, 6063-T6/T52 ALLOY, FRAME IS .080" THK. BLADE IS .080" THK. ON 3 1/2" CENTERS.
 ADJUSTABLE BLADE: EXTRUDED ALUMINUM 6063-T6/T52 ALLOY, .125" THK.
 FACE OF LOUVER: FULL WIDTH SILL WITH HEAD AND BLADES CONTAINED WITHIN THE JAMBS.
 LINKAGE: EXTRUDED ALUMINUM, CONCEALED IN CHANNEL OUT OF AIRSTREAM. THE TRUNNIONS, WHICH ROTATE IN CELCON BEARINGS, ARE 1/2" DIAMETER CADMIUM PLATED AND CHROMATE TREATED MACHINED STEEL. THE TRUNNION IS LOCKED TO THE 5/16" DIA. ALUMINUM LINKAGE ROD BY A 1/4-20 SET SCREW WITH AN EPOXY LOCKING PATCH.
 AXLES: 1/2" DIA. ALUMINUM "PIN-LOCK" EXTRUSION.
 SEALS: EXTRUDED SILICONE RUBBER SEAL AT BLADE EDGE. FOAM ON BOTTOM BLADE & STAINLESS STEEL AT JAMB.
 SCREENS: WHEN INDICATED, IN A REMOVABLE FRAME.
 BIRD SCREEN - 1/2" FLATTENED ALUMINUM, .051" THK. OR - 1/2" SQ. MESH, INTERMEDIATE DOUBLE-CRIMPED ALUMINUM WIRE, .063 DIA. OR - 18/16 MESH, .011" DIA. ALUMINUM WIRE, INSECT SCREEN.
 FINISH: MILL.
 LOUVER SIZES: 12" x 12" MINIMUM PANEL SIZE. 48" x 96" MAXIMUM PANEL SIZE.

LOUVER PERFORMANCE STATEMENT

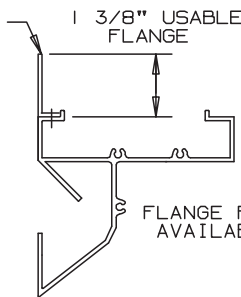
LOUVER MODELLA480D SHALL BE FABRICATED TO PROVIDE A MINIMUM OF (52%), 8.36 SQUARE FEET OF FREE AREA FOR A 48" x 48" SIZE LOUVER AND BEAR THE AMCA CERTIFIED RATINGS SEAL FOR AIR PERFORMANCE AND WATER PENETRATION. THE RATINGS SHALL SHOW A BEGINNING POINT OF WATER PENETRATION AT .01 OUNCES PER SQUARE FOOT OF FREE AREA AT A FREE AREA VELOCITY OF 994 FEET PER MINUTE, (8309) CUBIC FEET PER MINUTE, WITH A .14 INCHES WATER GAUGE PRESSURE DROP FOR AIR INTAKE.

OPTIONAL

- OTHER SCREENS
- ARCHITECTURAL FINISHES
- ACTUATORS (ELECTRIC, PNEUMATIC, MANUAL, ETC.)

NOT TO SCALE

FLANGE FRAME (AVAILABLE FRONT FACE ONLY)



FLANGE FRAME AVAILABLE

NOMINAL DEDUCTIONS WILL BE MADE TO THE OPENING SIZES GIVEN.

ITEM	QTY.	OPENING SIZE		LOUVER SIZE		MULL	SCREENS	
		WIDTH	HEIGHT	WIDTH	HEIGHT		TYPE	LOC



Anemostat Air Distribution
1220 E. Watson Center Road
Carson, CA 90745
310-835-7500 • air@anemostat.com
www.anemostat-hvac.com

ARCH. /ENG. :	
CONTR. :	
PROJECT :	
EDR :	ECN : JOB :
DATE :	DWN. : DWG. :

AGENT : _____

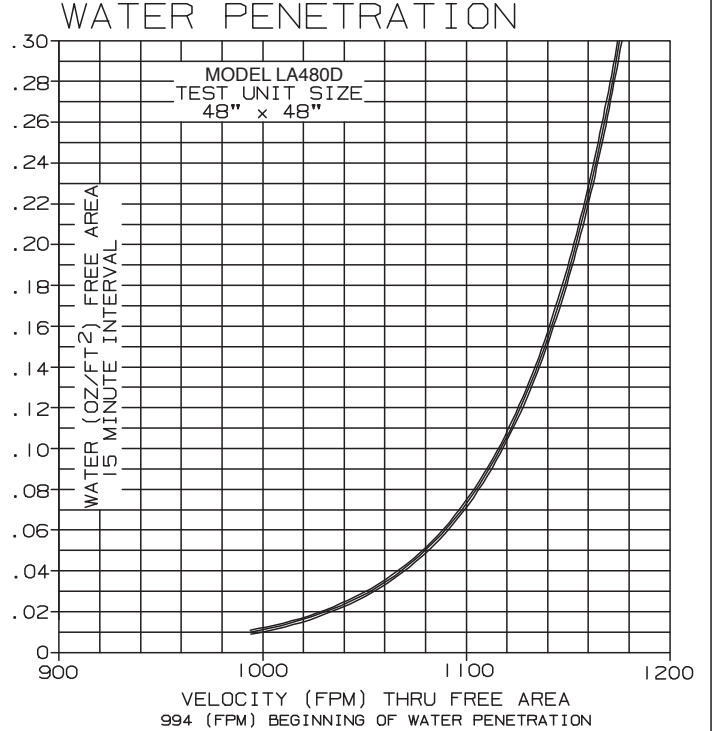
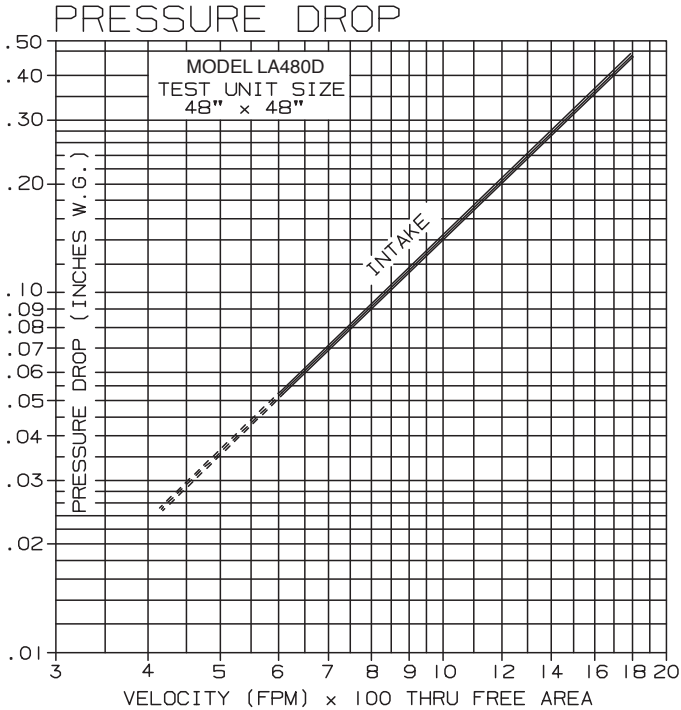
MODEL LA480D

DRAIN LOUVERS

EXTRUDED ALUMINUM - COMBINATION ADJUSTABLE

PERFORMANCE DATA

RATINGS DO NOT INCLUDE EFFECTS OF BIRDSCREEN.

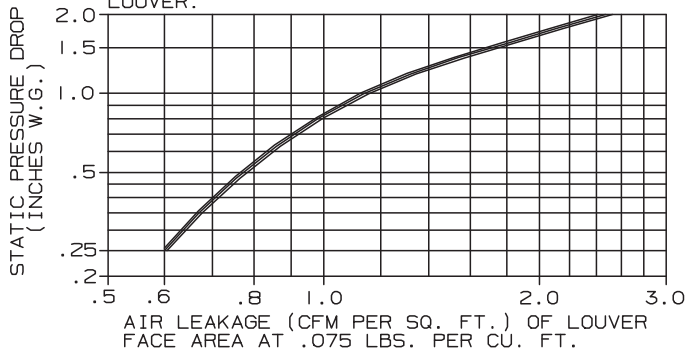


FREE AREA

HEIGHT	FREE AREA (SQ. FT.)						
	WIDTH						
	12"	18"	24"	30"	36"	42"	48"
12"	.18	.32	.46	.60	.74	.88	1.02
24"	.59	1.03	1.48	1.92	2.36	2.81	3.25
36"	1.00	1.75	2.49	3.24	3.99	4.74	5.49
48"	1.52	2.67	3.81	4.95	6.09	7.23	8.36
60"	1.90	3.32	4.74	6.16	7.58	9.00	10.42
72"	2.39	4.19	5.98	7.78	9.57	11.37	13.16
84"	2.79	4.89	6.98	9.08	11.17	13.27	15.36
96"	3.26	5.71	8.16	10.61	13.05	15.50	17.95

AIR LEAKAGE (LOUVER INSTALLATION POSITION, INTAKE) IS PER AMCA STANDARD 500 PROCEDURE FIG. 5.5.

AIR LEAKAGE WITH ADJUSTABLE BLADE IN CLOSED POSITION WITH A SEATING TORQUE OF 6.25 IN.LB./SQ. FT. OF LOUVER FACE AREA. LEAKAGE IS BASED ON A TEST OF A 48" x 48" LOUVER.



WATER PENETRATION



AIR PERFORMANCE

Anemostat certifies that the performance data shown has been determined by test in accordance with applicable AMCA standards.