



Anemostat®

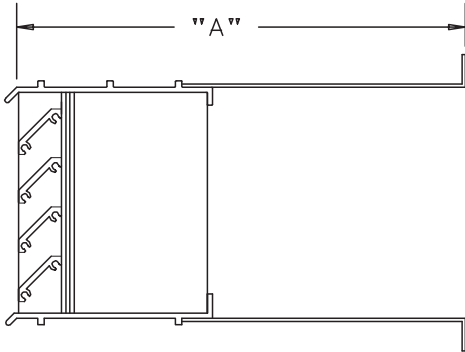
AIR DISTRIBUTION

MODEL **BV**

EXTRUDED ALUMINUM BRICK VENTS

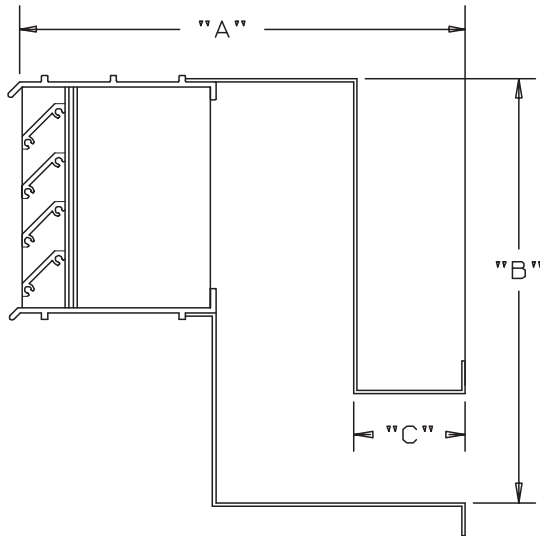
ANEMOSTAT EXTRUDED ALUMINUM BRICK VENTS

- USE IN PLACE OF LOW LOUVERS FOR EXTRA FREE AREA VENTILATION.
- 4" DEEP FRAME, 45° BLADES. FRAME AND BLADES .125" THICK.
- DESIGNED FOR MAXIMUM PROTECTION AGAINST WATER ENTERING BUILDING.
- AVAILABLE IN PRACTICALLY ANY WIDTH OR HEIGHT. MANY STOCK SIZES FOR IMMEDIATE SHIPMENT.
- CLEAR ANODIZED FINISH IS STANDARD. DURONODIC, OTHER FINISHES AVAILABLE.



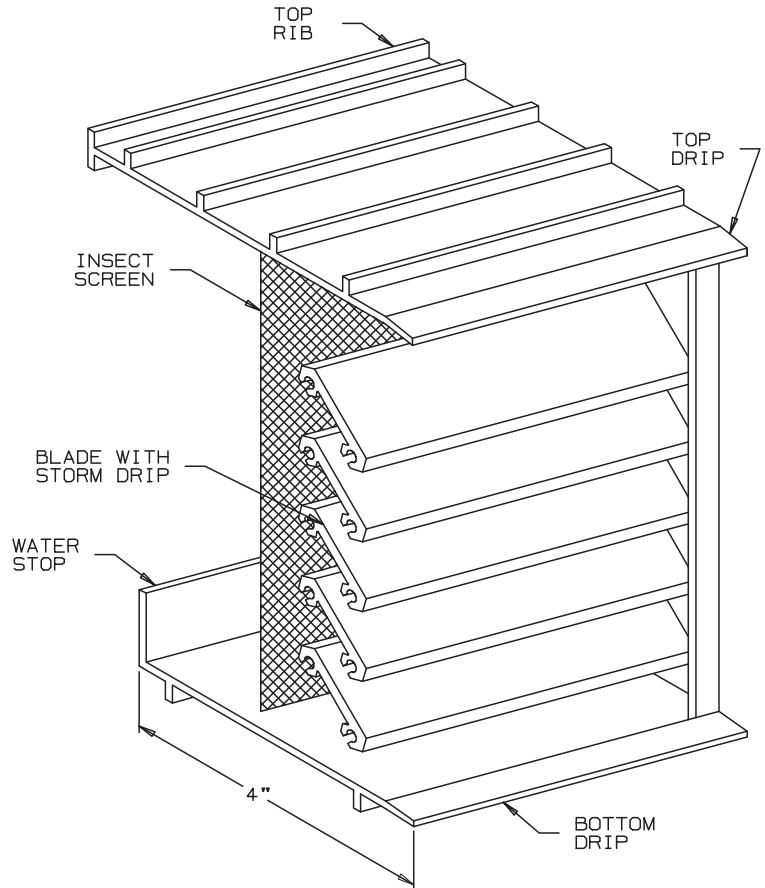
STRAIGHT DUCTS

FASTENED SECURELY TO VENT 24 GA. GALVANIZED STEEL STANDARD. SPECIFY WALL THICKNESS ("A" DIMENSION).



"Z" DUCTS

FASTENED SECURELY TO VENT 24 GA. GALVANIZED STEEL STANDARD. USE WHEN SPACE TO BE VENTED IS BELOW GRADE. PROVIDE DIMENSIONS "A", "B", & "C".



| STOCK SIZES AVAILABLE | | MINIMUM OPENING SIZE | FREE AREA (SQ. IN.) |
|-----------------------|------------------|----------------------|---------------------|
| NO. | SIZE | | |
| 125 | 12" x 2 3/8" | 12 1/4" x 2 7/8" | 9.07 |
| 127 | 12" x 4 3/4" | 12 1/4" x 5 1/4" | 16.56 |
| 133 | 8 1/8" x 2 3/8" | 8 3/8" x 2 7/8" | 5.47 |
| 135 | 8 1/8" x 4 3/4" | 8 3/8" x 5 1/4" | 9.93 |
| 140 | 8 1/8" x 7 3/4" | 8 3/8" x 8 1/4" | 20.89 |
| 170 | 16 1/2" x 2 3/8" | 16 3/4" x 2 7/8" | 13.10 |
| 172 | 16 1/2" x 4 3/4" | 16 3/4" x 5 1/4" | 24.04 |
| 174 | 16 1/2" x 7 3/4" | 16 3/4" x 8 1/4" | 45.79 |
| 245 | 24" x 4 3/4" | 24 1/4" x 5 1/4" | 36.43 |
| 247 | 24" x 7 3/4" | 24 1/4" x 8 1/4" | 69.55 |



UNION MADE

Anemostat Air Distribution

1220 E. Watson Center Road
Carson, CA 90745

310-835-7500 • air@anemostat.com
www.anemostat-hvac.com

AGENT: _____

ARCH./ENG. :

CONTR. :

PROJECT :

EDR: ECN: JOB:

DATE: DWN. : DWG. :

