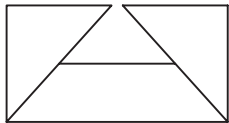


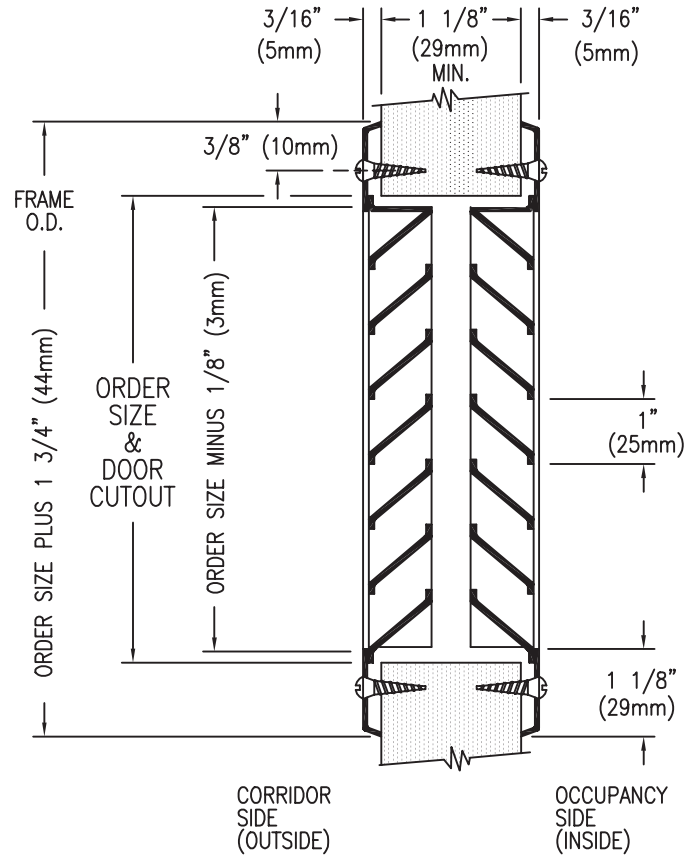
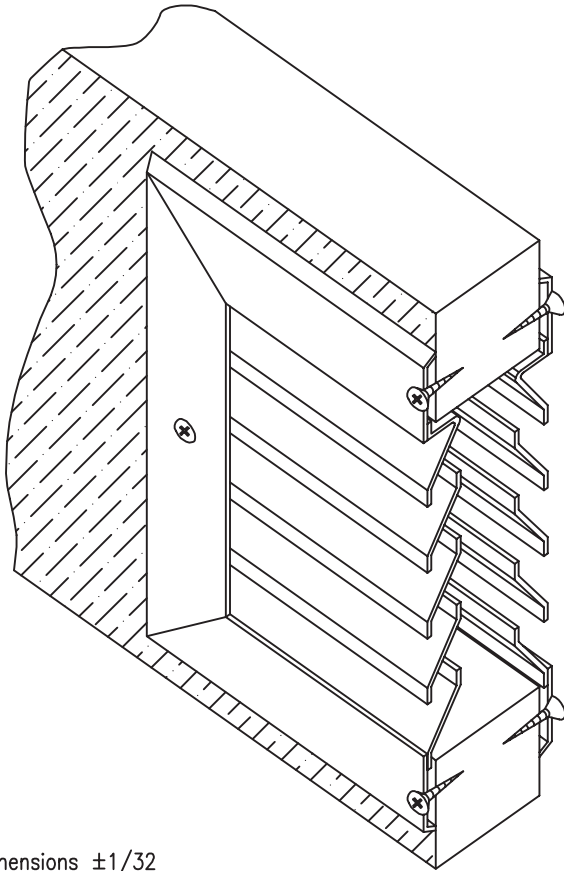
SUBMITTAL SHEET



® from: **ANEMOSTAT**®

CARSON CA
310-835-7500

**MODEL
FDLS**
INVERTED SPLIT 'Y'
NON-VISION LOUVER



All Dimensions $\pm 1/32$

STANDARD PRODUCT FEATURES

- MATERIAL: 18 GA. Cold Rolled Steel – Frame and Louver Blades.
- FINISH: Arctic White, Baked-On
- INSTALLATION: Fastens to door by means of #8x3/4" sheet metal or wood screws, directly into the door, thru countersunk mounting holes.
- DOOR THICKNESS: Will fit any door thickness 1 1/8 and over
- AESTHETICS: Tight mitered corners, no visible welds, and countersunk mounting holes make for a versatile, easy to use Louver.
- USES: Anywhere air flow is required thru a door
- FREE AIR FLOW: 50% Free Area

OPTIONAL FEATURES

- MATERIAL: #304 Stainless Steel, #4 Finish(Satin), Galvanized(Sheet, Hot Dipped or Zinc Plated), Mill Finish Aluminum (#5052 Alloy).
- FINISH: Special order Baked Enamel Colors (as per sample chip, supplied by customer).
- FASTENERS: Special Security Screw Fasteners, See Page 10, this section.
- SPECIALS: Fractional sizes (frame dimension is increased to accommodate odd size). Mesh insect screens are loose, attached or framed. (Galvanized, Aluminum, Charcoal Aluminum, Stainless Steel.)

FIRE RATINGS

- FDLS is not fire rated.

- NOTE: For Exterior use, High Humidity or Salt Air application, product must be Galvanized or Stainless Steel.

All Dimensions are in Inches

JOB NAME:	SUBMITTED BY:
LOCATION:	
ARCHITECT:	
ENGINEER:	DWG # LOV-0002
CONTRACTOR:	DATE 4-19-04 REV B