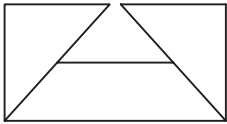


# SUBMITTAL SHEET

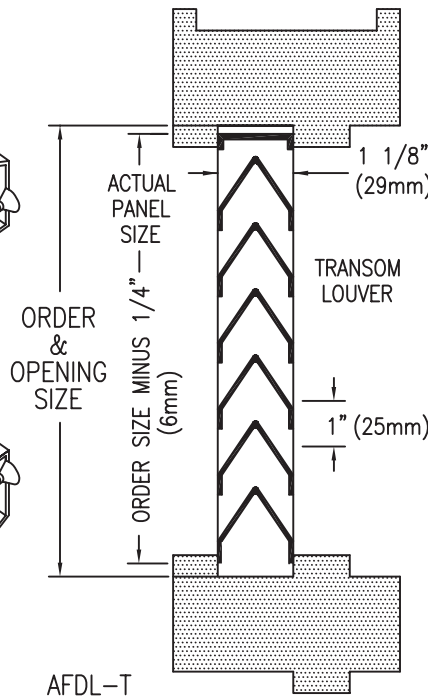
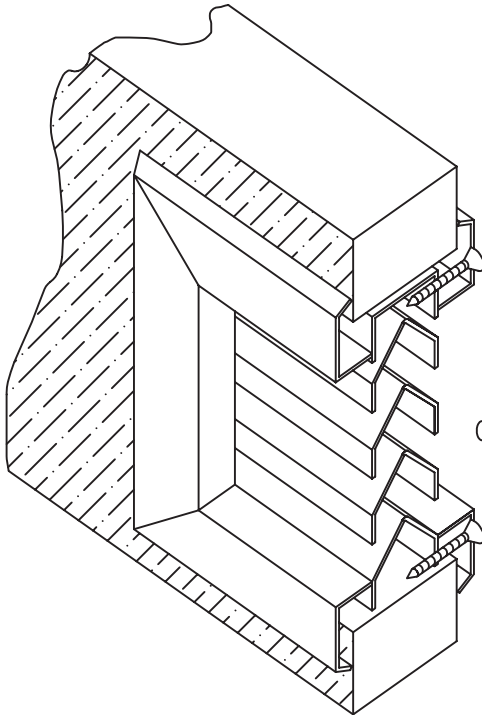


from: **ANEMOSTAT**®

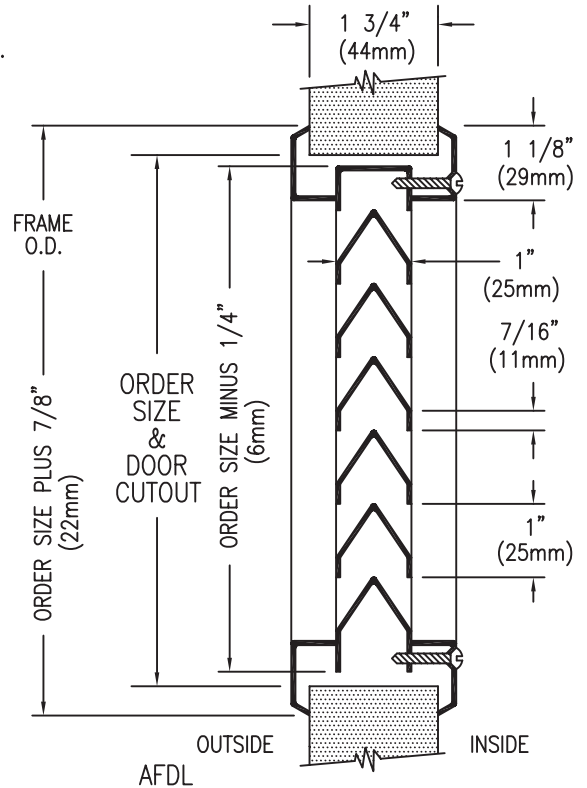
CARSON CA  
310-835-7500

MODEL  
**AFDL**  
INVERTED 'Y' LOUVER  
NON-VISION

FOR USE IN TRANSOMS  
SIDELITES OR BORROWED LITES.



AFDL-T



AFDL

All Dimensions ±1/32

### STANDARD PRODUCT FEATURES

- MATERIAL: 18 GA. Cold Rolled Steel – Frame, 22 GA. Cold Rolled Steel – Louver Blades.
- FINISH: Arctic White, Baked-On
- INSTALLATION: Our top selling louver is preferred because of its ease of installation. Use #8x1" phillips screw that fastens auxiliary frame to the louver core, thru the cutout in the door, thus eliminating the need to drill holes in the door for thru bolts. This method saves time and installation labor and leaves the corridor side of the frame free of fasteners for added security, and a cleaner aesthetic appearance.
- DOOR THICKNESS: For 1 3/4" Door (1 3/8" is available)
- AESTHETICS: Tight mitered corners, no visible welds, countersunk mounting holes and corridor side of frame free of fasteners make for a clean, streamlined appearance
- USES: Anywhere air flow is required thru a door
- FREE AIR FLOW: 50% Free Area
- NOTE: For Exterior use, High Humidity or Salt Air application, product must be Galvanized or Stainless Steel.

### OPTIONAL FEATURES

- MATERIAL: #304 Stainless Steel, #4 Finish(Satin), Galvanized(Sheet, Hot Dipped or Zinc Plated), Mill Finish Aluminum (#5052 Alloy), 16 gauge Cold Rolled Steel.
- FINISH: Special order Baked Enamel Colors (as per sample paint chip, supplied by customer).
- FASTENERS: Special Security Screw Fasteners, See Page 10, this section.
- SPECIALS: Fractional sizes (frame dimension is increased to accommodate odd size). Mesh insect screens are loose, attached or framed. (Galvanized, Aluminum, Charcoal Aluminum, Stainless Steel.)
- DOOR THICKNESS: 1 3/8" is available by special order.

### FIRE RATINGS

- AFDL is not fire rated.
- IMPORTANT: Interpretation of building and fire codes may vary. Consult with the local authority having jurisdiction in your area, to determine appropriate standards.

All Dimensions are in Inches

|             |                   |
|-------------|-------------------|
| JOB NAME:   | SUBMITTED BY:     |
| LOCATION:   |                   |
| ARCHITECT:  |                   |
| ENGINEER:   |                   |
| CONTRACTOR: |                   |
|             | DWG # LOV-0001    |
|             | DATE 5-9-07 REV C |