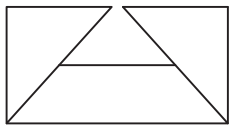


SUBMITTAL SHEET



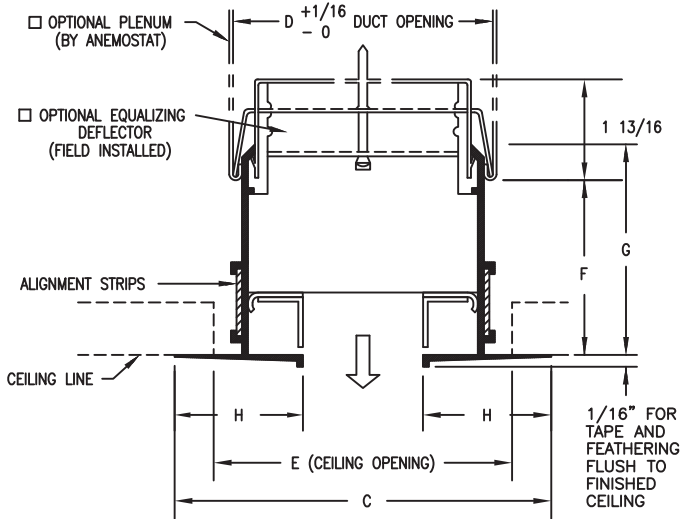
from: **ANEMOSTAT**®

CARSON CA
310-835-7500

MODEL PJBF-300

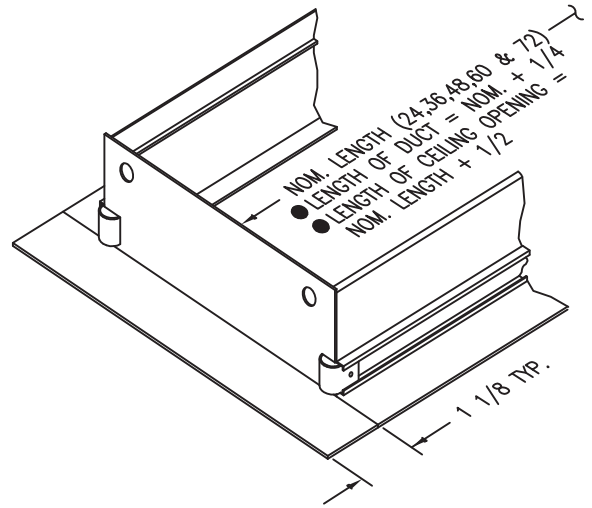
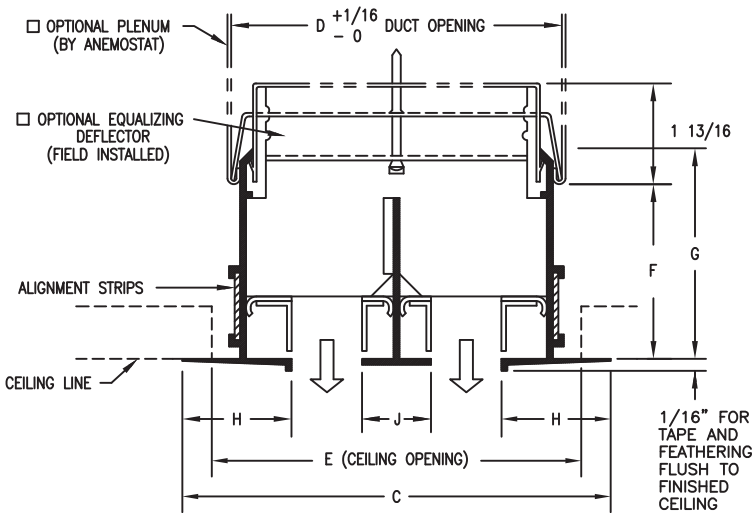
Pro Jet™
ARCHITECTURAL
LINEAR DIFFUSER
BEVELED FLANGE

SINGLE SLOT



PJBF-300 (3" SLOT WIDTH)							
# OF SLOTS	C	D	E	F	G	H	J
1	7	6 5/16	6 3/8				-
2	13	12 5/16	12 3/8	2 3/8	3 7/32	2	3
3	19	18 5/16	18 3/8	TO			
4	25	24 5/16	24 3/8	2 3/4			

MULTIPLE SLOT



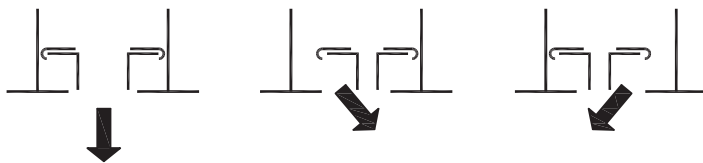
END PLATE DETAIL

MATERIAL: .050 ALUMINUM EXTRUSION
GALVANIZED HARDWARE

FINISH: OUTER FRAME - BLACK
CENTER TEE - WHITE
INTERIOR COMPONENTS - BLACK

ASSEMBLY: ALIGNMENT STRIPS AND MOUNTING
BRACKETS FURNISHED FOR FIELD
ASSEMBLY AND INSTALLATION

PATTERN FLEXIBILITY



MFG. TOLERANCE ± 1/32

All Dimensions are in Inches

JOB NAME:	SUBMITTED BY:
LOCATION:	
ARCHITECT:	
ENGINEER:	
CONTRACTOR:	
	DWG # LIN-0347
	DATE 3-24-10 REV D