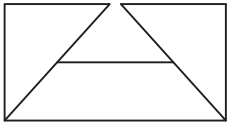


# SUBMITTAL SHEET



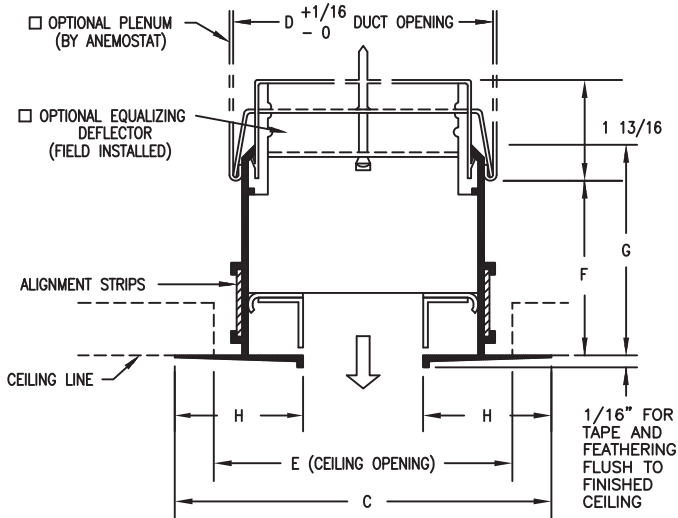
from: **ANEMOSTAT**®

CARSON CA  
310-835-7500

# MODEL PJBF-200

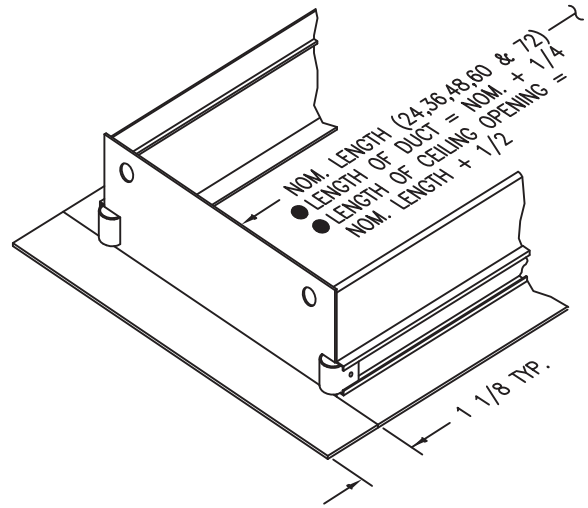
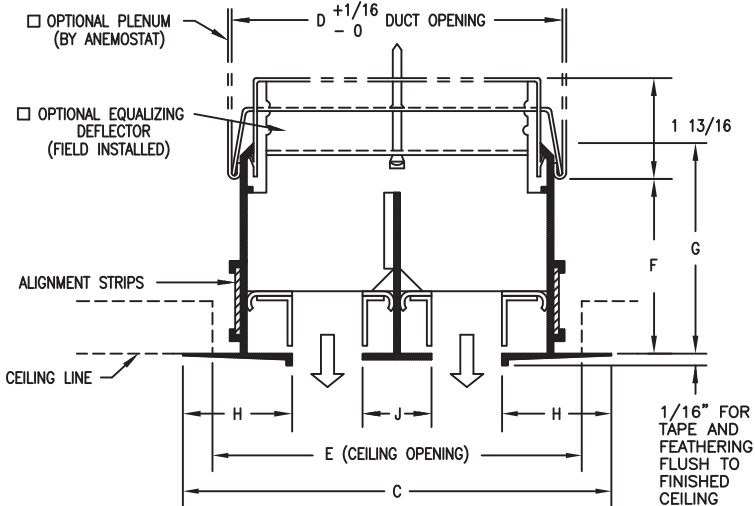
Pro Jet™  
ARCHITECTURAL  
LINEAR DIFFUSER  
BEVELED FLANGE

## SINGLE SLOT



PJBF-200 (2" SLOT WIDTH)							
# OF SLOTS	C	D	E	F	G	H	J
1	5 1/2	4 5/16	4 3/8	1 25/32 TO 2 5/32	2 5/8	1 3/4	-
2	9 1/2	8 5/16	8 3/8				2
3	13 1/2	12 5/16	12 3/8				
4	17 1/2	16 5/16	16 3/8				

## MULTIPLE SLOT



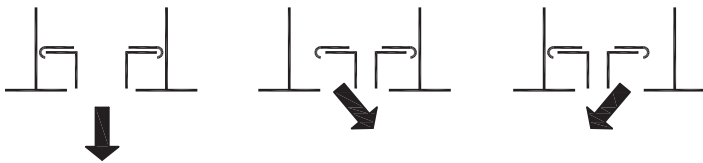
END PLATE DETAIL

MATERIAL: .050 ALUMINUM EXTRUSION  
GALVANIZED HARDWARE

FINISH: OUTER FRAME - BLACK  
CENTER TEE - WHITE  
INTERIOR COMPONENTS - BLACK

ASSEMBLY: ALIGNMENT STRIPS AND MOUNTING  
BRACKETS FURNISHED FOR FIELD  
ASSEMBLY AND INSTALLATION

## PATTERN FLEXIBILITY



MFG. TOLERANCE ± 1/32

All Dimensions are in Inches

JOB NAME:	SUBMITTED BY:
LOCATION:	
ARCHITECT:	
ENGINEER:	
CONTRACTOR:	
	DWG # LIN-0345
	DATE 3-24-10 REV D