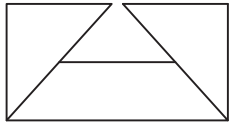


# SUBMITTAL SHEET



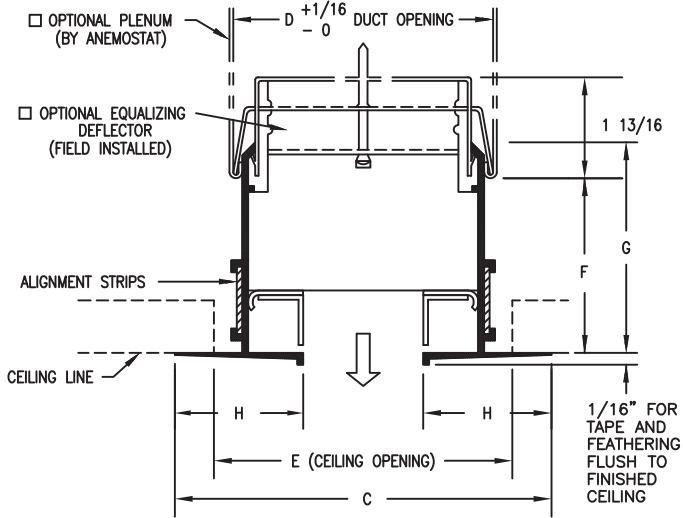
from: **ANEMOSTAT**®

CARSON CA  
310-835-7500

# MODEL PJBF-150

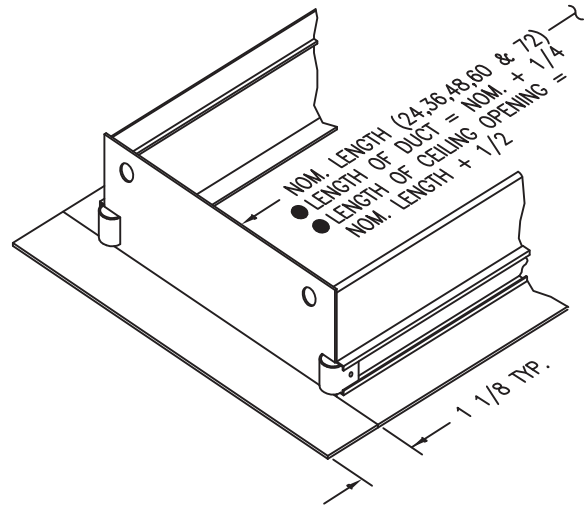
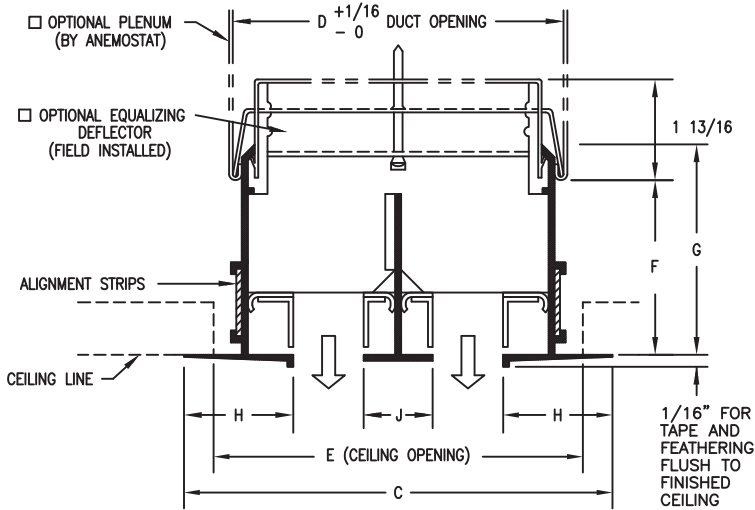
*Pro Jet*™  
ARCHITECTURAL  
LINEAR DIFFUSER  
BEVELED FLANGE

## SINGLE SLOT



PJBF-150 (1 1/2" SLOT WIDTH)							
# OF SLOTS	C	D	E	F	G	H	J
1	4 1/2	3 5/16	3 3/8				-
2	7 1/2	6 5/16	6 3/8	1 23/32 TO	2 9/16	1 1/2	1 1/2
3	10 1/2	9 5/16	9 3/8	2 3/32			
4	13 1/2	12 5/16	12 3/8				

## MULTIPLE SLOT



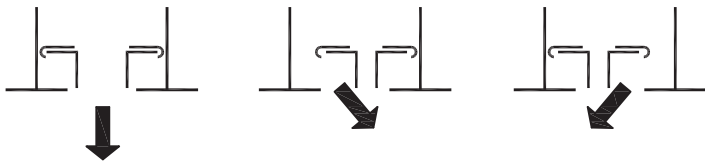
## END PLATE DETAIL

MATERIAL: .050 ALUMINUM EXTRUSION  
GALVANIZED HARDWARE

FINISH: OUTER FRAME - BLACK  
CENTER TEE - WHITE  
INTERIOR COMPONENTS - BLACK

ASSEMBLY: ALIGNMENT STRIPS AND MOUNTING  
BRACKETS FURNISHED FOR FIELD  
ASSEMBLY AND INSTALLATION

## PATTERN FLEXIBILITY



MFG. TOLERANCE ± 1/32

All Dimensions are in Inches

JOB NAME:	SUBMITTED BY:
LOCATION:	
ARCHITECT:	
ENGINEER:	
CONTRACTOR:	DWG # LIN-0344
	DATE 3-24-10 REV D