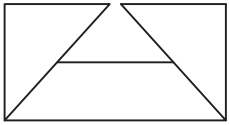


SUBMITTAL SHEET



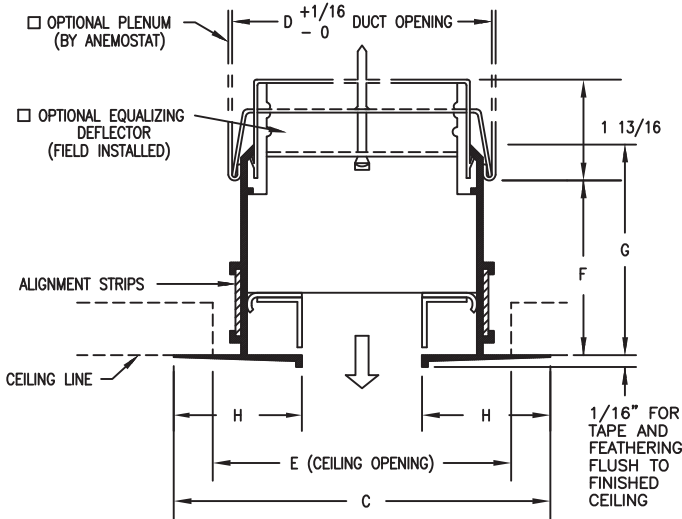
® from: **ANEMOSTAT**®

CARSON CA
310-835-7500

MODEL PJBF-100

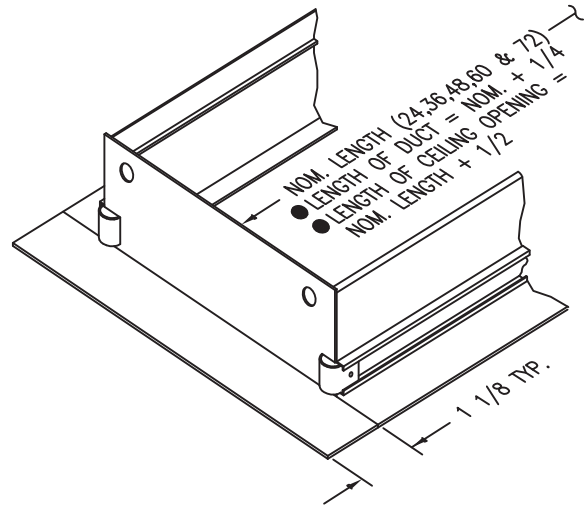
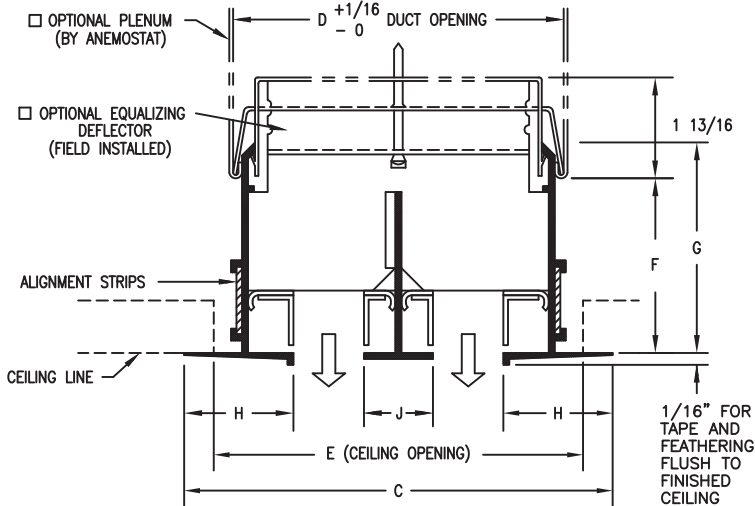
Pro Jet™
ARCHITECTURAL
LINEAR DIFFUSER
BEVELED FLANGE

SINGLE SLOT



PJBF-100 (1" SLOT WIDTH)							
# OF SLOTS	C	D	E	F	G	H	J
1	3 1/2	2 5/16	2 3/8	1 1/4 TO 1 5/8	2 1/16	1 1/4	-
2	5 1/2	4 5/16	4 3/8				1
3	7 1/2	6 5/16	6 3/8				
4	9 1/2	8 5/16	8 3/8				

MULTIPLE SLOT



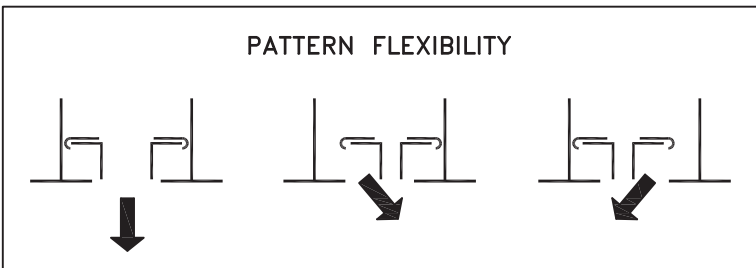
END PLATE DETAIL

MATERIAL: .050 ALUMINUM EXTRUSION
GALVANIZED HARDWARE

FINISH: OUTER FRAME - BLACK
CENTER TEE - WHITE
INTERIOR COMPONENTS - BLACK

ASSEMBLY: ALIGNMENT STRIPS AND MOUNTING
BRACKETS FURNISHED FOR FIELD
ASSEMBLY AND INSTALLATION

PATTERN FLEXIBILITY



MFG. TOLERANCE ± 1/32

All Dimensions are in Inches

JOB NAME:	SUBMITTED BY:
LOCATION:	
ARCHITECT:	
ENGINEER:	
CONTRACTOR:	DWG # LIN-0343
	DATE 3-24-10 REV D