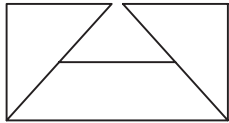


SUBMITTAL SHEET



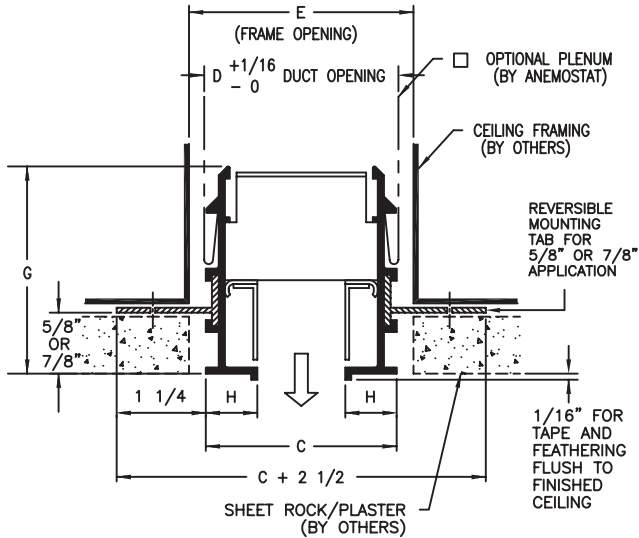
from: **ANEMOSTAT**®

CARSON CA
310-835-7500

MODEL PJCM-300

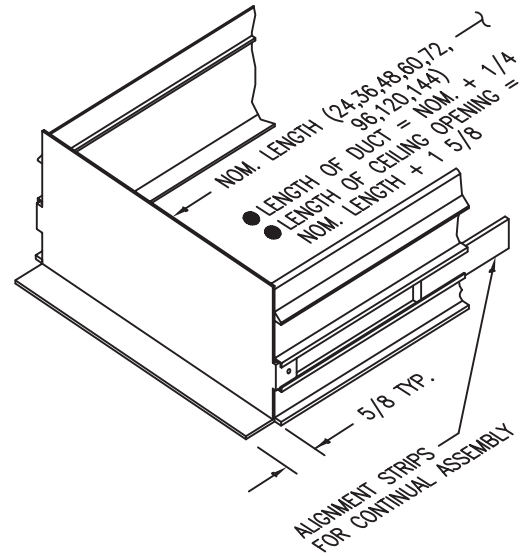
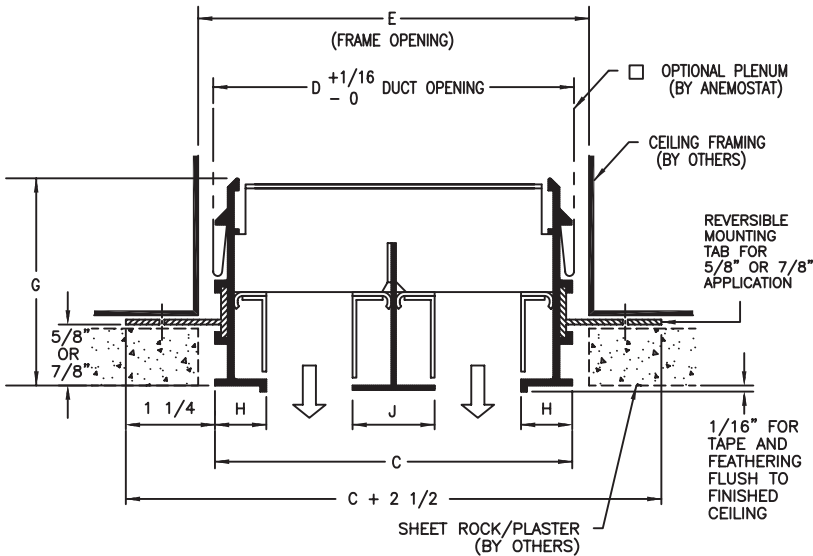
Pro Jet™
ARCHITECTURAL
LINEAR DIFFUSER
CONCEALED MOUNTING

SINGLE SLOT



PJCM-300 (3" SLOT WIDTH)						
# OF SLOTS	C	D	E	G	H	J
1	6 5/16	6 5/16	6 5/8	3 1/4	1 21/32	-
2	12 5/16	12 5/16	12 5/8			3
3	18 5/16	18 5/16	18 5/8			
4	24 5/16	24 5/16	24 5/8			

MULTIPLE SLOT



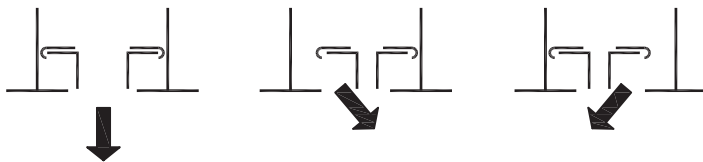
END PLATE DETAIL

MATERIAL: .062 ALUMINUM EXTRUSION
GALVANIZED HARDWARE

FINISH: OUTER FRAME - BLACK
CENTER TEE - WHITE
INTERIOR COMPONENTS - BLACK

ASSEMBLY: ALIGNMENT STRIPS AND MOUNTING
BRACKETS FURNISHED FOR FIELD
ASSEMBLY AND INSTALLATION

PATTERN FLEXIBILITY



MFG. TOLERANCE ± 1/32

All Dimensions are in Inches

JOB NAME:	SUBMITTED BY:
LOCATION:	
ARCHITECT:	
ENGINEER:	
CONTRACTOR:	
	DWG # LIN-0336
	DATE 3-24-10 REV D