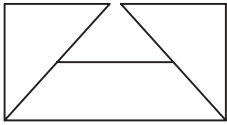


# SUBMITTAL SHEET



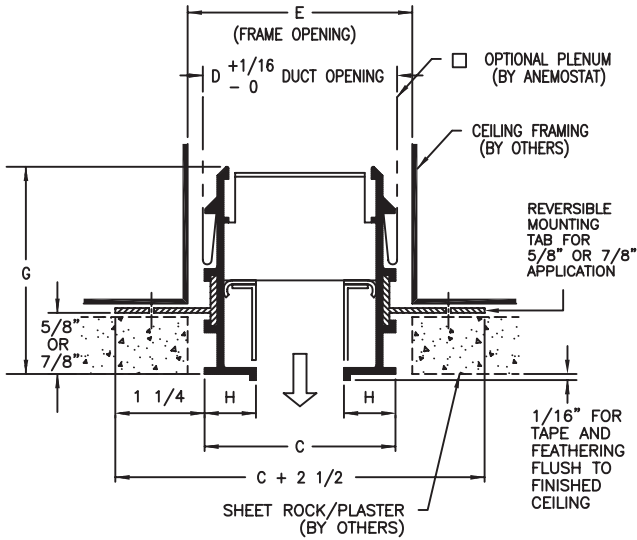
from: **ANEMOSTAT**®

CARSON CA  
310-835-7500

## MODEL PJCM-250

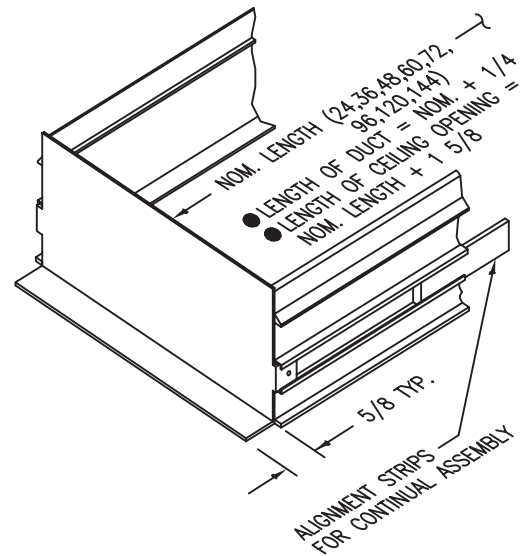
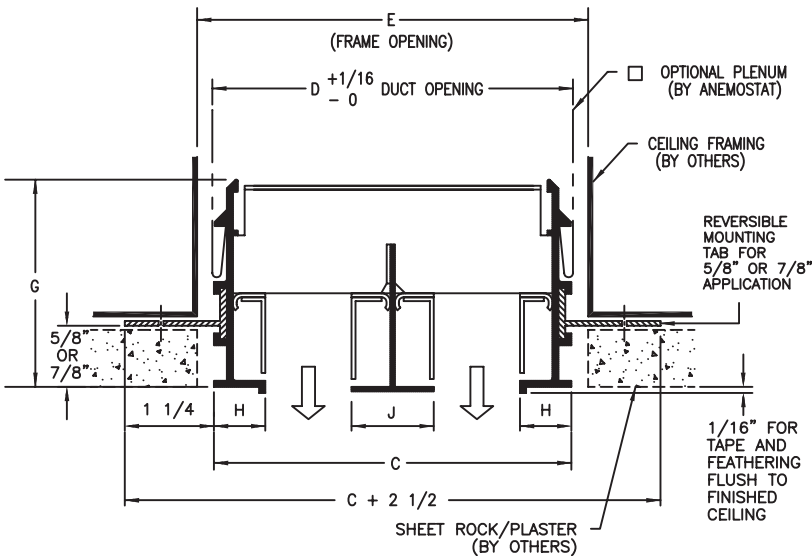
Pro Jet™  
ARCHITECTURAL  
LINEAR DIFFUSER  
CONCEALED MOUNTING

### SINGLE SLOT



PJCM-250 (2 1/2" SLOT WIDTH)						
# OF SLOTS	C	D	E	G	H	J
1	5 5/16	5 5/16	5 5/8	3 5/32	1 13/32	-
2	10 5/16	10 5/16	10 5/8			2 1/2
3	15 5/16	15 5/16	15 5/8			
4	20 5/16	20 5/16	20 5/8			

### MULTIPLE SLOT



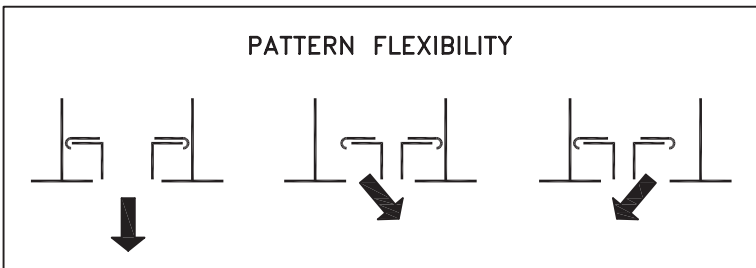
### END PLATE DETAIL

MATERIAL: .062 ALUMINUM EXTRUSION  
GALVANIZED HARDWARE

FINISH: OUTER FRAME - BLACK  
CENTER TEE - WHITE  
INTERIOR COMPONENTS - BLACK

ASSEMBLY: ALIGNMENT STRIPS AND MOUNTING  
BRACKETS FURNISHED FOR FIELD  
ASSEMBLY AND INSTALLATION

### PATTERN FLEXIBILITY



MFG. TOLERANCE ± 1/32

All Dimensions are in Inches

JOB NAME:	SUBMITTED BY:
LOCATION:	
ARCHITECT:	
ENGINEER:	
CONTRACTOR:	
	DWG # LIN-0335
	DATE 3-24-10 REV D