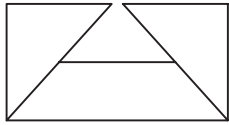


SUBMITTAL SHEET



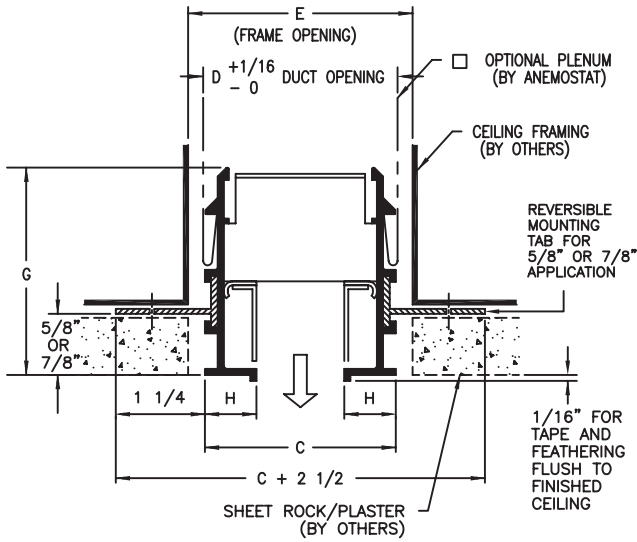
from: **ANEMOSTAT**®

CARSON CA
310-835-7500

MODEL PJCM-150

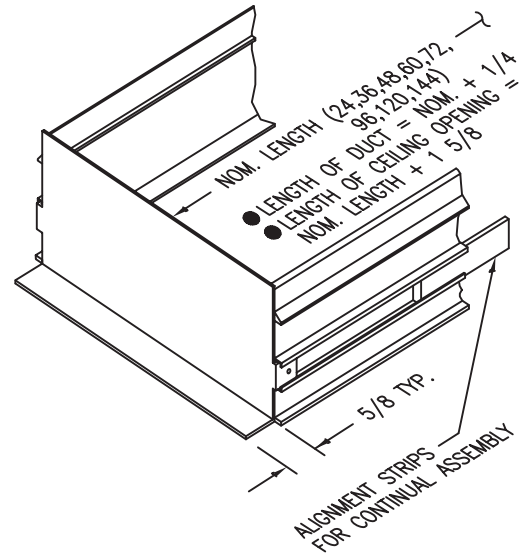
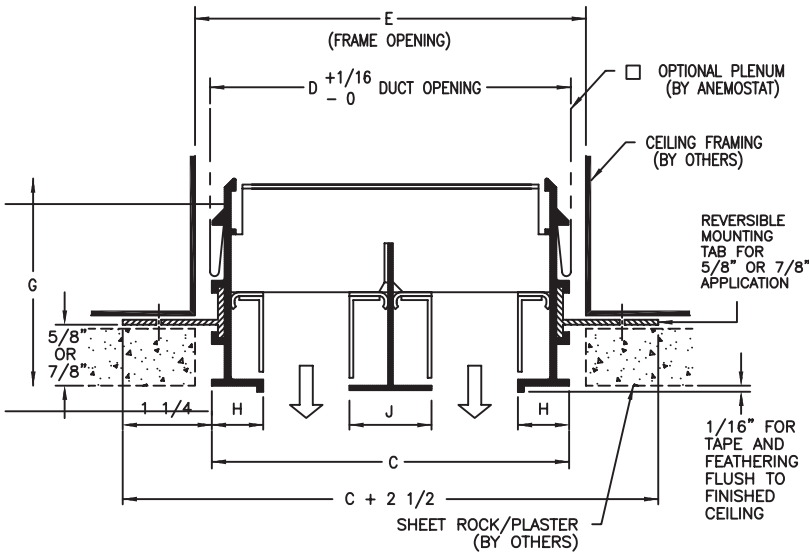
Pro Jet™
ARCHITECTURAL
LINEAR DIFFUSER
CONCEALED MOUNTING

SINGLE SLOT



PJCM-150 (1 1/2" SLOT WIDTH)						
# OF SLOTS	C	D	E	G	H	J
1	3 1/4	3 5/16	3 5/8	2 5/8	7/8	-
2	6 1/4	6 5/16	6 5/8			
3	9 1/4	9 5/16	9 5/8			
4	12 1/4	12 5/16	12 5/8			

MULTIPLE SLOT



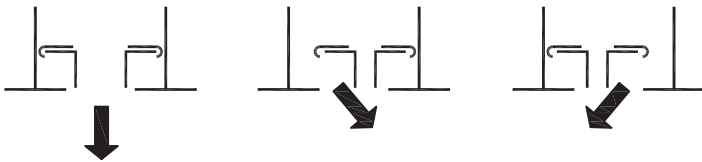
END PLATE DETAIL

MATERIAL: .062 ALUMINUM EXTRUSION
GALVANIZED HARDWARE

FINISH: OUTER FRAME - BLACK
CENTER TEE - WHITE
INTERIOR COMPONENTS - BLACK

ASSEMBLY: ALIGNMENT STRIPS AND MOUNTING
BRACKETS FURNISHED FOR FIELD
ASSEMBLY AND INSTALLATION

PATTERN FLEXIBILITY



MFG. TOLERANCE ± 1/32

All Dimensions are in Inches

JOB NAME:	SUBMITTED BY:
LOCATION:	
ARCHITECT:	
ENGINEER:	
CONTRACTOR:	
	DWG # LIN-0333
	DATE 3-24-10 REV D