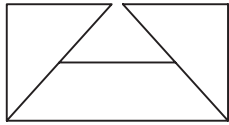


SUBMITTAL SHEET



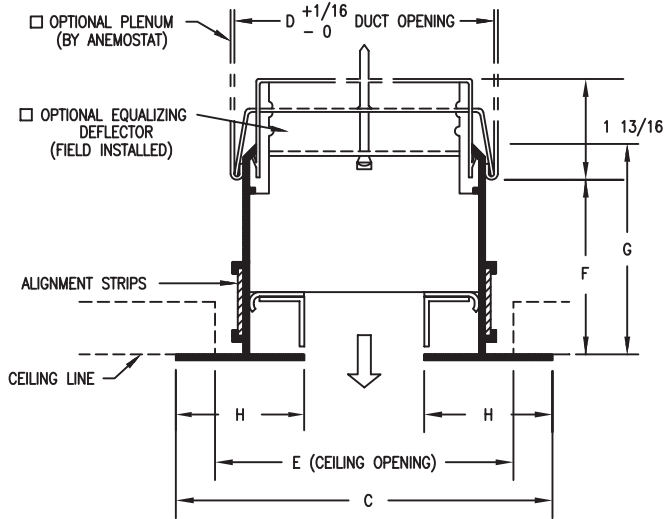
from: **ANEMOSTAT**®

CARSON CA
310-835-7500

MODEL
PJS-250

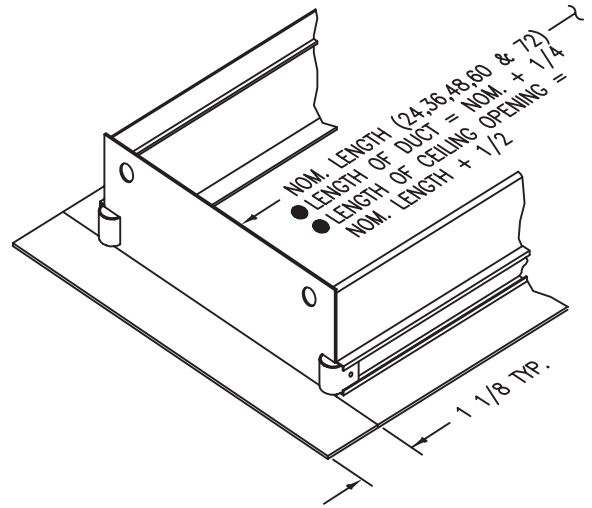
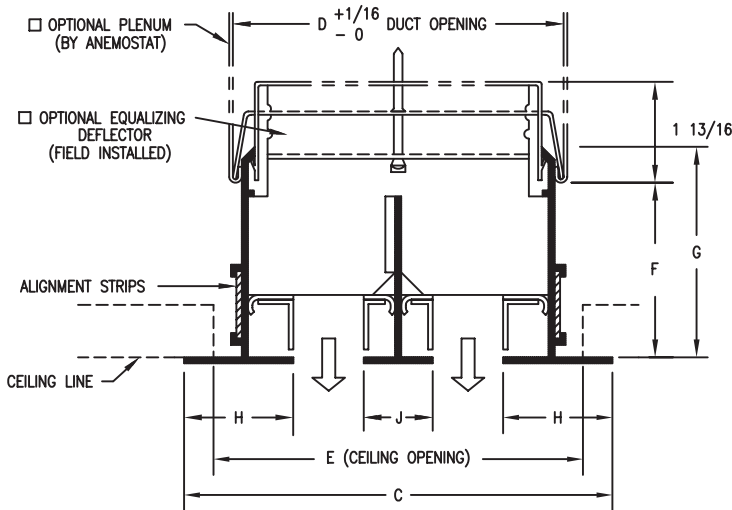
Pro Jet™
ARCHITECTURAL
LINEAR DIFFUSER
SURFACE MOUNT

SINGLE SLOT



PJS-250 (2 1/2" SLOT WIDTH)							
# OF SLOTS	C	D	E	F	G	H	J
1	6 1/2	5 5/16	5 3/8				-
2	11 1/2	10 5/16	10 3/8	2 1/4 TO	3 3/32	2	2 1/2
3	16 1/2	15 5/16	15 3/8	2 5/8			
4	21 1/2	20 5/16	20 3/8				

MULTIPLE SLOT



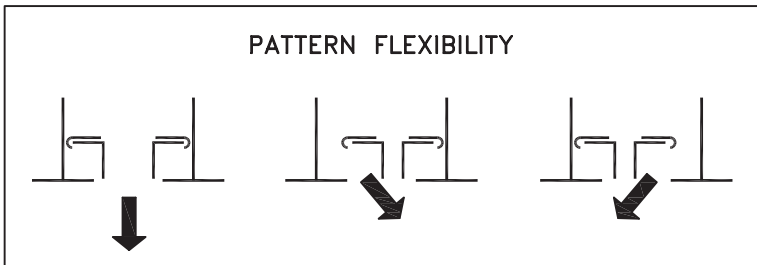
END PLATE DETAIL

MATERIAL: .050 ALUMINUM EXTRUSION
GALVANIZED HARDWARE

FINISH: FACING - WHITE
INTERIOR COMPONENTS - BLACK

ASSEMBLY: ALIGNMENT STRIPS AND MOUNTING
BRACKETS FURNISHED FOR FIELD
ASSEMBLY AND INSTALLATION

PATTERN FLEXIBILITY



MFG. TOLERANCE ± 1/32

All Dimensions are in Inches

JOB NAME:	SUBMITTED BY:
LOCATION:	
ARCHITECT:	
ENGINEER:	
CONTRACTOR:	DWG # LIN-0330
	DATE 3-24-10 REV C