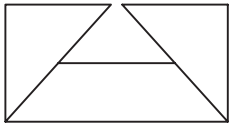


SUBMITTAL SHEET



®

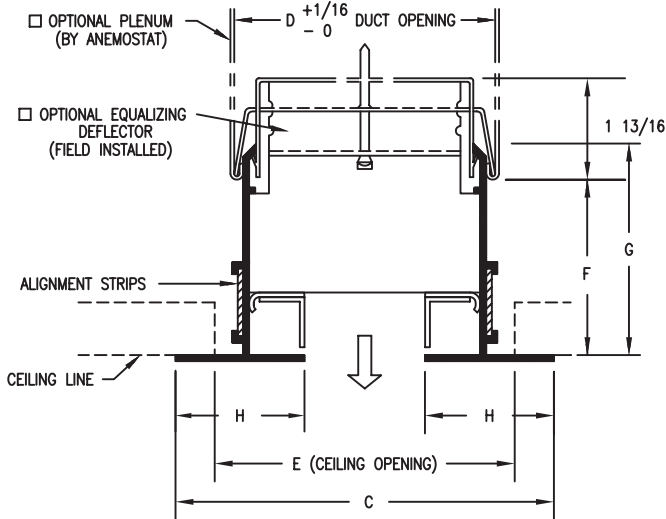
from: **ANEMOSTAT**®

CARSON CA
310-835-7500

MODEL
PJS-150

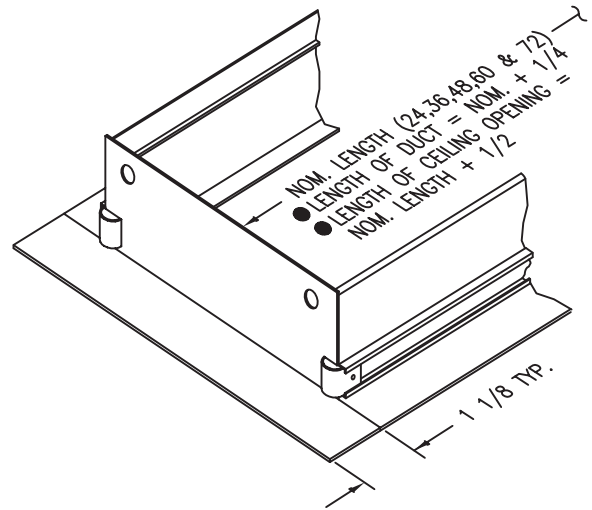
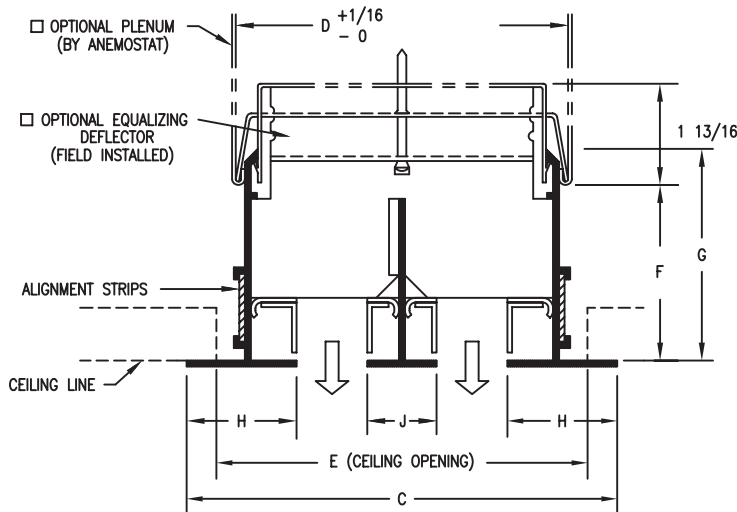
Pro Jet™
ARCHITECTURAL
LINEAR DIFFUSER
SURFACE MOUNT

SINGLE SLOT



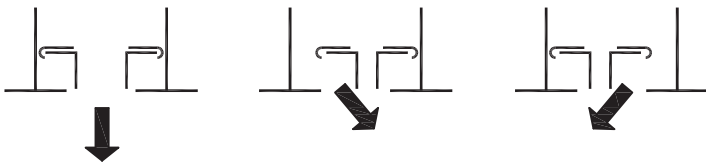
PJS-150 (1 1/2" SLOT WIDTH)							
# OF SLOTS	C	D	E	F	G	H	J
1	4 1/2	3 5/16	3 3/8	1 23/32 TO 2 3/32	2 9/16	1 1/2	-
2	7 1/2	6 5/16	6 3/8				1 1/2
3	10 1/2	9 5/16	9 3/8				
4	13 1/2	12 5/16	12 3/8				

MULTIPLE SLOT



END PLATE DETAIL

PATTERN FLEXIBILITY



MFG. TOLERANCE ± 1/32

All Dimensions are in Inches

JOB NAME:	SUBMITTED BY:
LOCATION:	
ARCHITECT:	
ENGINEER:	DWG # LIN-0328
CONTRACTOR:	DATE 3-24-10 REV D