

PRODUCT FEATURES

- Heavy duty round edge steel louver bars, spaced 9/16" centers
- 14 GA Steel louver supports on 6" maximum centers

CONSTRUCTION DETAILS

Material:
Steel Construction / Aluminum Rear Adjustable Louvers

Finish:
 Arctic White (std)
 Custom Color (opt)

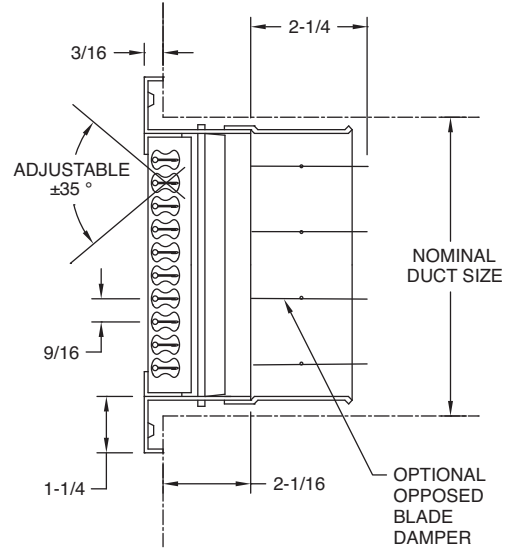
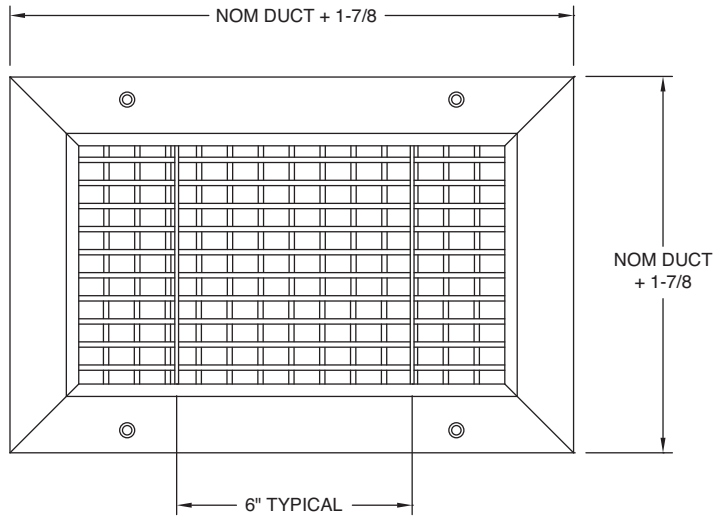
MODELS

- HD25-L** Front Blades Long Dimension
- HD25-S** Front Blades Short Dimension

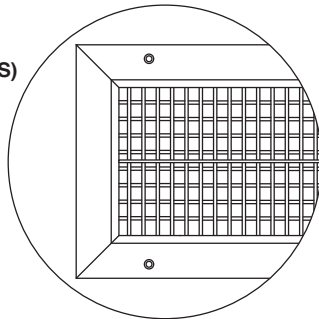
ACCESSORIES

- OB** Opposed Blade Damper

LONG BLADES SHOWN (L)



SHORT BLADES (S)



All dimensions are in inches.

JOB NAME:

SUBMITTED BY: