

**PRODUCT FEATURES**

- Heavy duty round edge steel louver bars, spaced 9/16" centers
- 14 GA Steel louver supports on 6" maximum centers

**CONSTRUCTION DETAILS**

- Material:**  
Steel Construction
- Finish:**
- Arctic White (std)
  - Custom Color (opt)

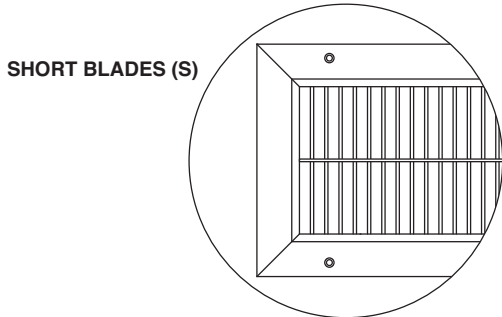
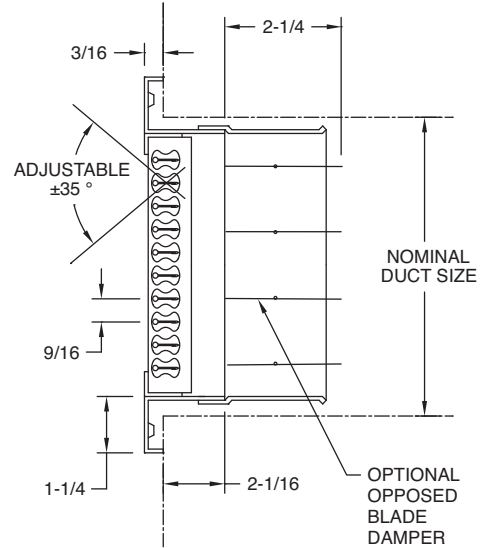
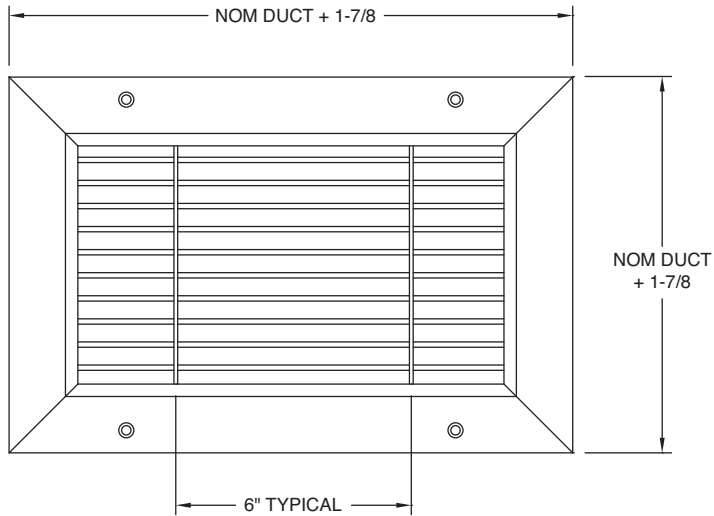
**MODELS**

- HD15-L** Front Blades Long Dimension
- HD15-S** Front Blades Short Dimension

**ACCESSORIES**

- OB** Opposed Blade Damper

LONG BLADES SHOWN (L)



All dimensions are in inches.

JOB NAME:

SUBMITTED BY: