



SUBMITTAL SHEET

PRODUCT FEATURES

- Installs flush to the ceiling as a single, fully gasketed module – no field assembly required
- 180° & 90° radial patterns available for design flexibility
- Unique, manually adjustable pattern controller to “fine tune” pattern based on design air flow rate, cooling differential, and application
- Removable face via 1/4 turn fasteners for cleaning
- Face is hinged and swings down 90° for easy cleaning. Safety cables prevent face from accidentally swinging down.
- Closed cell gasket prevents leakage around face

MATERIAL AND FINISH

Distribution Panel:

- Steel with White Baked Epoxy
- Aluminum with White Baked Epoxy
- 304 Stainless Steel, #4 Polish
- 304 Stainless Steel with White Baked Epoxy

Dual Chamber Plenum:

- Steel with White Baked Epoxy
- Aluminum with White Baked Epoxy
- 304 Stainless Steel, 2B Mill Finish
- 304 Stainless Steel with White Baked Epoxy

MODELS

- HCR-T** Lay-In T-Bar

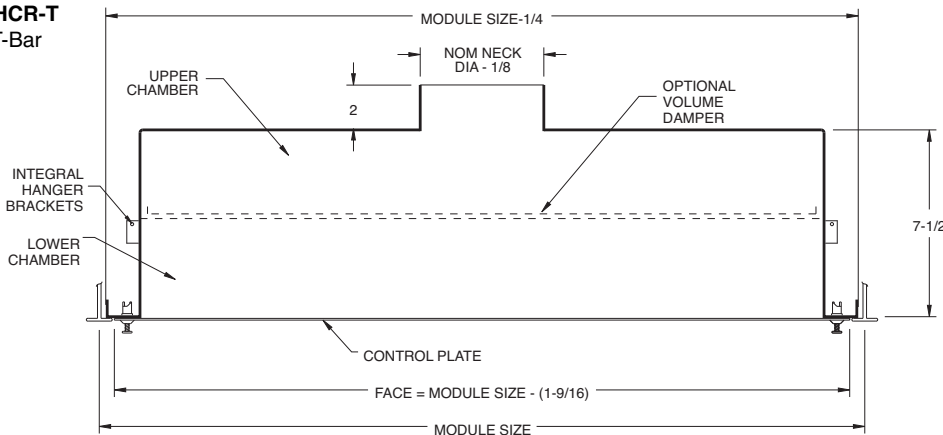
PATTERN

- Type 1** - 90°
- Type 2** - 180°

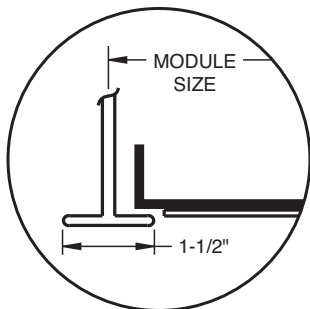
ACCESSORIES

- Volume Damper** Non-Removable
- Volume Damper** Removable

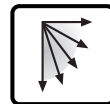
Model HCR-T
Lay-In T-Bar



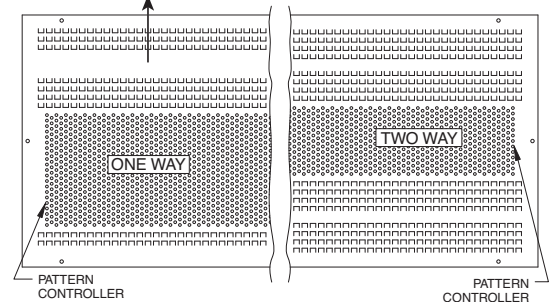
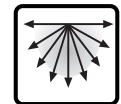
HCR DIMENSIONS		
Size	Module Size	Max Neck Size
124	12 x 48	9" DIA
		8 x 12 Rectangle
242	24 x 24	18" DIA
244	24 x 48	18" DIA



Type 1
90° Pattern



Type 2
180° Pattern



All dimensions are in inches.

JOB NAME:

SUBMITTED BY: